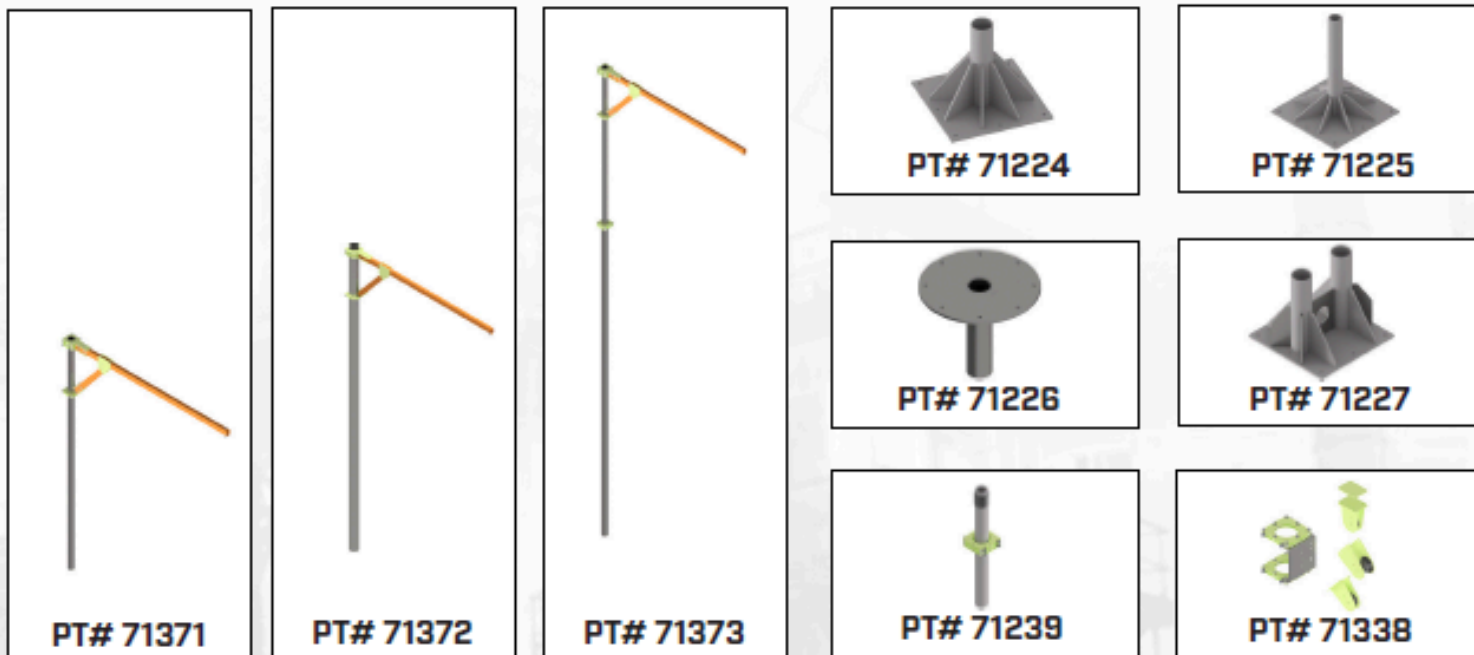


PRO-10/200 Restricted Space Davits

The Pro-10/200 Restricted Space Davits allow you to place fall protection anchors where required with minimal disruption to work place layouts and operations. Free standing portable and permanently installed options allow you to pick the solution that is best suited to your facility's individual needs.



Part #	Description	Price
71371	Complete Mast, 4" [102mm] Vertical tube 13' [4m] height, w/10' [3m] Anchor Point Boom	
71372	Complete Mast, 5" [127mm] Vertical tube 19' [6m] height, w/10' [3m] Anchor Point Boom	
71373	Complete Mast, 4" [102mm]/5" [127mm] Adjustable vertical tubes 22'-29' [7-9m], w/10' [3m] Anchor Point Boom	
71239	Connection Post, used for 5" [127mm] tube on 71226, 71224, 71227, 71222	
71224	Sleeve, Square Floor Mount, Accepts 4" [102mm] Mast	
71225	Sleeve, Square Floor Mount, pin style, Accepts 5" [127mm] Mast	
71226	Sleeve, Flush Floor Mount, Round Base, Accepts 4" [102mm] Mast	
71227	Sleeve, Square Floor Mount, Accepts 4" [102mm] Mast, Two Users	
71223	Rail, 20' [6.3m] Includes 1 Trolley	
71273	2 User Trolley Kit [30" Bumper]	
71274	2 User Trolley Kit [72" Bumper]	
71338	Rescue Kit, For 4" Mast Includes: Clamp Bracket w/ Pulleys	
71339	Rescue Kit, For 5" Mast Includes: Clamp Bracket w/ Pulleys	
71541	Rotation Limiter	
71351	Turning Handle	
Packages:		
71237	Single User System w/22'-29' [7-9m] Tall Adjustable Mast w/10' [3m] Anchor Point Boom In 71226 Sleeve	
71240	Single User System w/22'-29' [7-9m] Tall Adjustable Mast w/10' [3m] Anchor Point Boom In 71225 Sleeve	

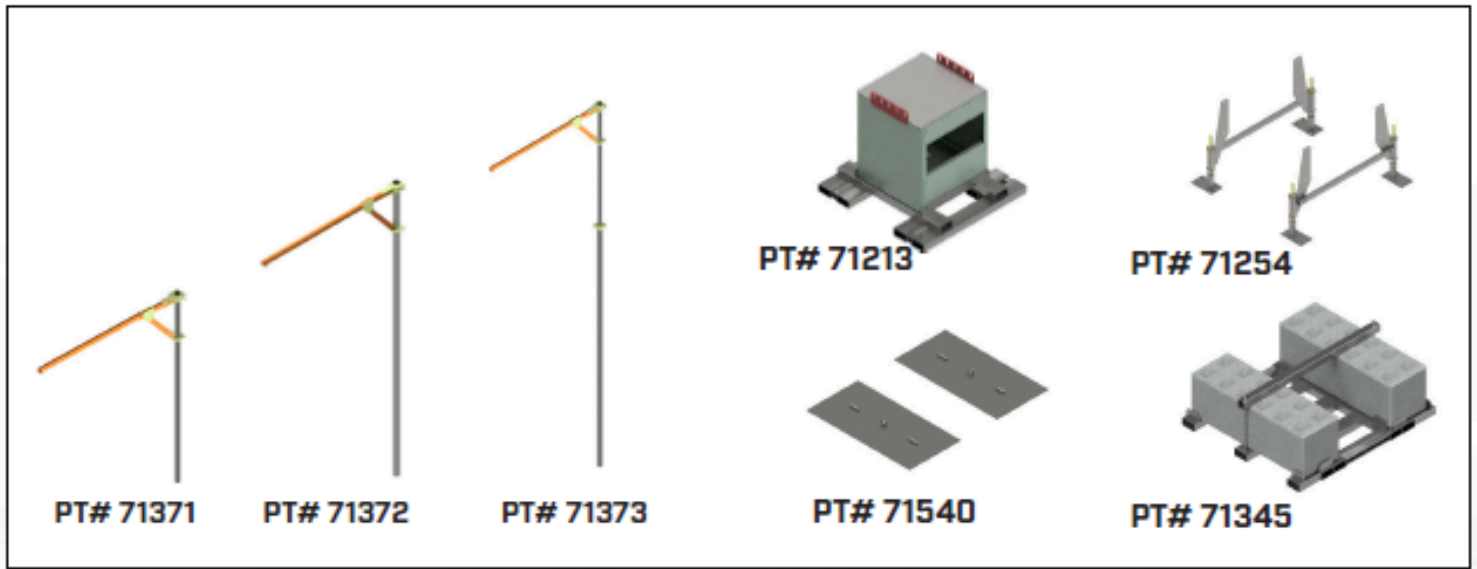
PRO-10/200 Cube Systems and Accessories



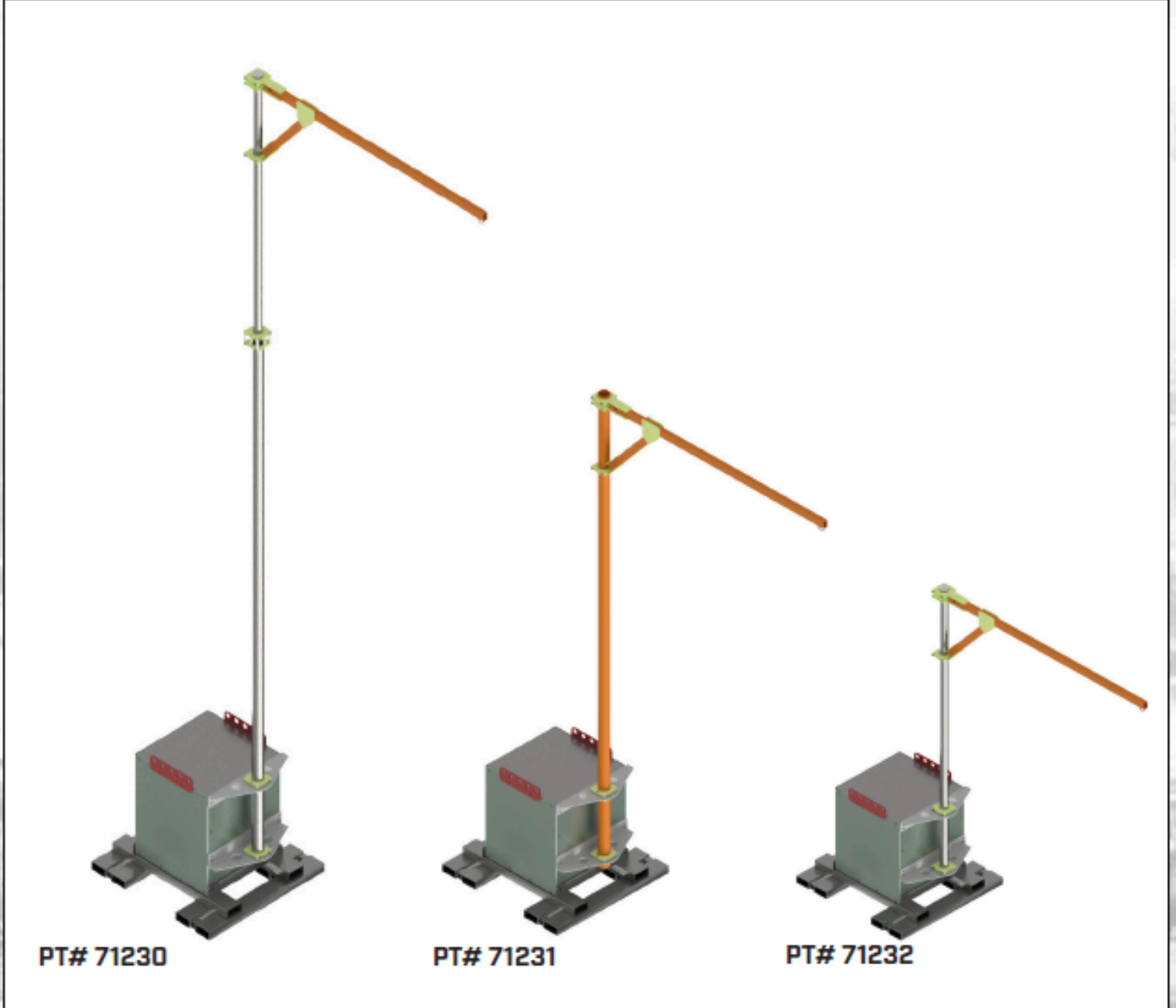
Cube Systems utilize a concrete filled steel box as ballast to support a davit of 13-29 ft tall with a 10 ft anchor point boom reach. A rail can be attached to multiple davits on one cube base or spanned over multiple cube bases to provide overhead anchor points.

With a variety of davit options available, the Pro-10/200 cube systems can accommodate a variety of worksite conditions.

Part #	Description	Price
70532	Cube Stabilizer Base for Concrete Surfaces (Add 71540 for Soft Surfaces)	
71213	Cube and Stabilizer Base Set (Includes 70532 & 71370)	
71222	Connection Clamp Assembly, used to connect 4" and 5" Tube for adjustable mast	
71223	Rail, 20' (6.3m) Includes 1 Trolley	
71254	Leveling Kit for Base 70532	
71273	Two User Trolley Kit (30" Bumper)	
71274	Two User Trolley Kit (72" Bumper)	
71343	Concrete Block Counterweight	
71344	Base, For Concrete Blocks	
71345	Concrete Block Base w/Counterweights	
71370	Cube, Including 2 crane 5 position lifting plates	
71371	Complete Mast, 4" (102mm) Vertical tube 13' (4m) height, w/10' (3m) Anchor Point Boom	
71372	Complete Mast, 5" (127mm) Vertical tube 19' (6m) height, w/10' (3m) Anchor Point Boom	
71373	Complete Mast, 4" (102mm)/5" (127mm) Adjustable vertical tubes 22'-29' (7-9m), w/ 10' (3m) Anchor Point Boom	
71540	Cube Stabilizer Plates for Soft Surfaces (70532 add-on)	
Packages: *Includes concrete for cube base		
71230	Single User Cube System w/ 22'-29' (7-9m) Tall Adjustable Mast w/10' (3m) Anchor Point Boom	
71231	Single User Cube System w/ 19' (6m) Tall Mast w/10' (3m) Anchor Point Boom	
71232	Single User Cube System w/ 13' (4m) Tall Mast w/10' (3m) Anchor Point Boom	
71233	Two user User Cube System w/ 22'-29' (7-9m) Tall Adjustable Masts w/10' (3m) Anchor Point Boom	
71234	Three User Cube System w/ 22'-29' (7-9m) Tall Adjustable Masts w/10' (3m) Anchor Point Boom	
71235	20' Rail System - Single User Cube System w/ 22'-29' (7-9m) Tall Adjustable Mast w/10' (3m) Anchor Point Boom. 1 Trolley Included (for max 2 users add trolley kit)	
71236	Six User Cube System w/ 22'-29' (7-9m) Tall Adjustable Masts w/10' (3m) Anchor Point Boom	
71340	20' Rail System - Single User Block System w/ 22'-29' (7-9m) Tall Adjustable Mast w/10' (3m) Anchor Point Boom. 1 Trolley Included (for max 2 users add trolley kit)	



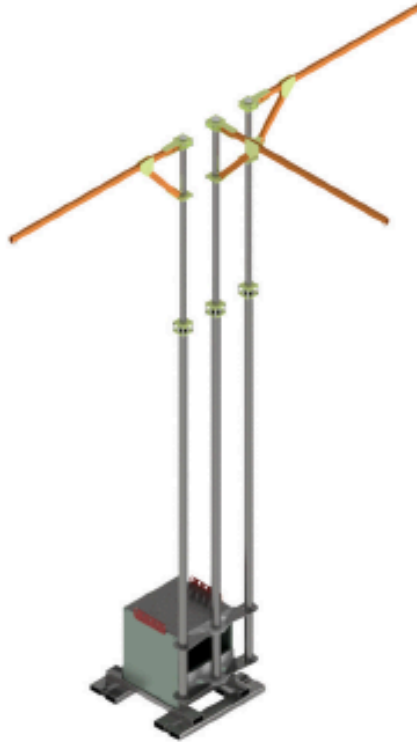
Packages:



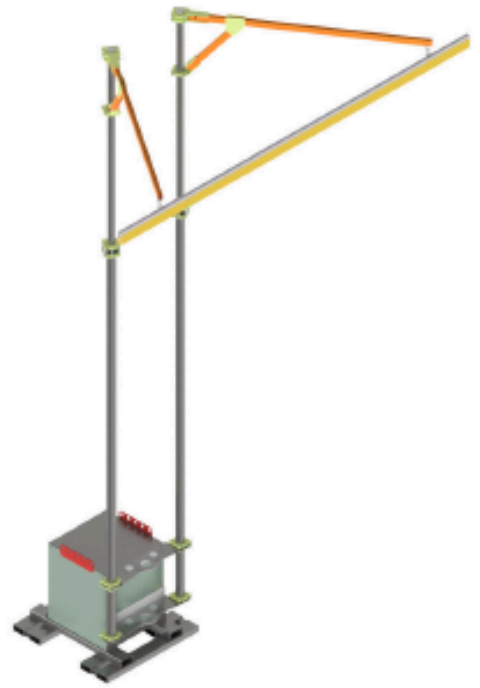
Packages:



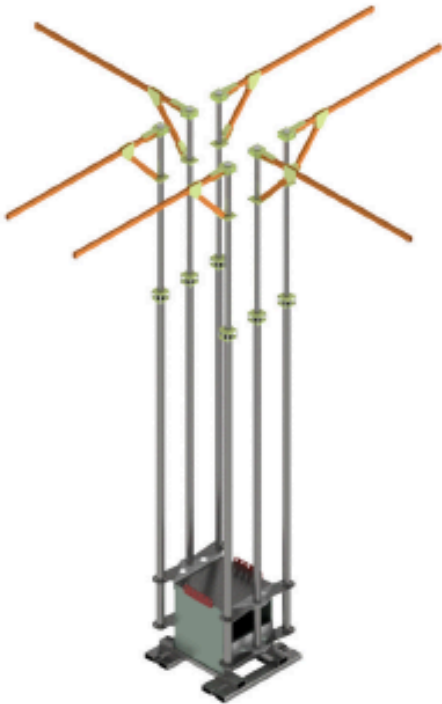
PT# 71233



PT# 71234



PT# 71235



PT# 71236



PT# 71340



PT# 71349