

Pole Hoist Systems

Pole Hoists allow for vertical or horizontal confined space entry-retrieval, rescue, as well as fall protection and work positioning. The Pole Hoist uses a single anchor point near the work area while the attendant remains safely back from any hazard.

Pro-Series Pole Hoists feature "Tuff-Klik" pin-less adjustment, which eliminates lost or damaged locking pins.

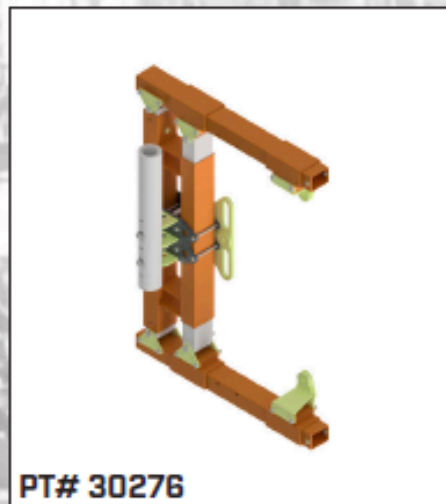
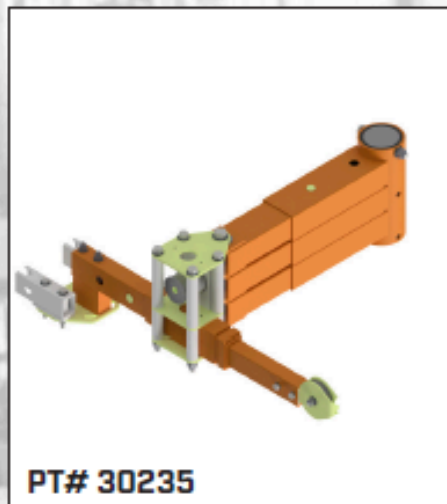


Part #	Description	Weight	Price		
30041	Best Hoist Pro-1, Pole Hoist 5-7' 3 Stage	30 lbs [13.6kgs]			
60580	Cable Guide Assembly Bracket (2 Devices)	27 lbs [12.3kgs]			
30553	Flange Anchor Bracket (0.25"-2")	10 lbs [4.6kgs]			
Packages:					
Part #	Package Contains	Pole Hoist	Winch PT#	Bracket PT#	Price
20041	Pro-1 Pole Hoist w/Winch & Winch Bracket	30041	60217	60162	

Horizontal Entry Systems

Horizontal Entry System is designed for confined space entry/retrieval and rescue operations involving horizontal entries with vertical positioning or retrieval required inside the space.

The Horizontal Entry System may be used with a Clamp-On or Bolt-On Tank Collar Base for adaption to different manholes. The External Clamp-On Base with Mast (30321) can be assembled for left and right entry requirements.





PT# 30288



PT# 30321

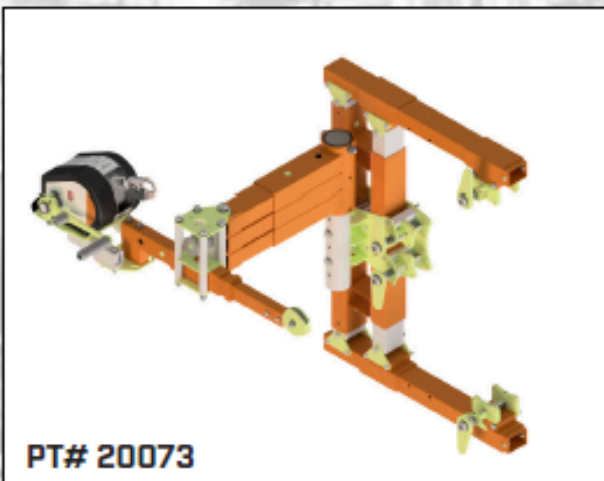


PT# 60211

Part #	Description	Weight	Price
30234	Support Mast, 72" (1829mm)	27.5 lbs (12.5kgs)	
30235	Horizontal Entry Arm	37 lbs (16.8kgs)	
30276	Base, Bolt-On Horizontal Entry w/Mast (30303)	71 lbs (32.3kgs)	
30288	Rescue Platform for PT#20073	55 lbs (25kgs)	
30321	Base, Clamp-On Horizontal Entry w/Mast (30303)	80 lbs (36.4kgs)	
60211	Bracket, SRL w/Retrieval Capability Mount	4 lbs (1.8kgs)	

Packages:

Part #	Description	Weight	Price
20073	Package, Horizontal Entry System (30235, 30321, 60217)	151 lbs (68.6kgs)	
20074	Package, Horizontal Entry System (30235, 30081, 30234)	87 lbs (39.5kgs)	



PT# 20073



PT# 20074