

Exosphere Customizable Portable Fall Protection Anchor

Exosphere Anchor System Packages



Exosphere Anchor Systems provide an adjustable anchor point height up to 42' for 2 users. With a variety of base options, mast heights, and lifting operations. Our most requested Exosphere Anchor system packages are the foldable, 12V Electric/Hydraulic system that is operated with simple instructions and the push of a button.



Other packages are available, contact us for more information.



Part #	Max Anchor Height	Description	Price
71443	28'	Exosphere Anchor System, 12V, forklift base, foldable (24')	
70797	42'	Exosphere Anchor System, 12V, forklift base, foldable (38')	
70994	28'	Exosphere Anchor System, 12V, Indoor push/pull, foldable (24')	
70939	42'	Exosphere Anchor System, 12V, Indoor push/pull, foldable (38')	
71444	28'	Exosphere Anchor System, 12V, outdoor push/pull, foldable (24')	
70864	42'	Exosphere Anchor System, 12V, outdoor push/pull, foldable (38')	

Simplicity Exosphere Anchor System

Our Simplicity Exosphere Anchor Systems provide an adjustable anchor point height up to 26' for 2 users. These simple to use systems come with winch lifting operations. With two base options, forklift stabilizer base or our on-site towable trailer.

Part #	Max Anchor Height	Description	Weight	Price
71212	26'	Simplicity, Exosphere Anchor System (24') w/forklift base	8000 lbs (3636kgs)	
71304	26'	Simplicity, Exosphere Anchor System (24') w/forklift base. 1/3 cube	4500 lbs (2041kgs)	
70999	26'	Simplicity, Exosphere Anchor System (24') w/on-site towable trailer	5600 lbs (2545kgs)	



PT# 71212



PT# 70999

Build your own - Exosphere Anchor Systems

Anchor Arms			
A	Part #	Description	Price
	70693	10" Triple 360° rotation anchors	
	70747	48" Double 360° / 180° rotation arms	
	70917	72" Double 360° / 180° rotation arms	
	71291	72" Foldable Double 360° / 180° rotation arms	

Masts			
B	Part #	Description	Price
	70613	Hydraulic 24' four stage	
	70614	Hydraulic 30' four stage	
	70615	Hydraulic 38' four stage	
	70976	Winch Operated 24' four stage	

Mounting Brackets			
C	Part #	Description	Price
	70697	Permanent vertical (used with 70700, 70973, & 70701)	
	70699	Foldable Hydraulic	

Cubes			
D	Part #	Description	Price
	70694	3,350 lbs, Cube with concrete (used for 24' masts ONLY)	
	70995	4,790 lbs, Cube with concrete	
	70696	6,740 lbs, Cube with concrete	

Lifting Power Devices			
E	Part #	Description	Price
	70700	Winch (24' mast ONLY)	
	70701	Manual Hydraulic for vertical lift only (all bases)	
	70969	Manual Hydraulic for vertical and foldable lift (all bases)	
	70972	12v Hydraulic for vertical and foldable lift (all bases)	
	70973	12v Hydraulic for vertical only (all bases)	

Stabilized Transport Bases			
F	Part #	Description	Price
	70497	Transport base for soft terrain (outdoor push/pull)	
	70661	Transport base for finished floor (indoor push/pull)	
	70532	Stabilizer for concrete (for soft terrain use add-on 71540)	



PT# 70939



PT# 70939



PT# 70864

Factory option build add-ons

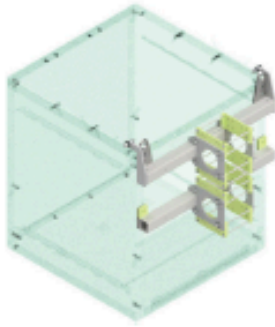
G	Part #	Description	Price	
	70895	Solar Panel Kit (12V only)		
	70881	Leveling Kit for Vertical (30/38' only)		
	70518	Leveling kit for Foldable		
	70690	Leveling kit for Vertical (18'/24' only)		
	71210	Rescue Bracket (Up to 2 users - devices & device brackets not included)		
	Add-ons			
	71540	Soft Surface Base Plates		
70988	Anchor Point Adjustable (vertical only)			

Follow the example provided below to create a custom code for your exosphere. When contacting a sales representative/distributor please use the code to ensure ease of pricing and/or drawings.

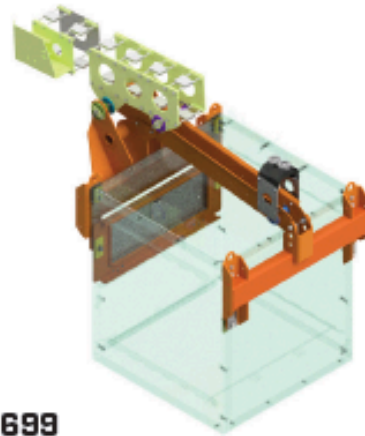
A - B - C - D - E - F - G

Fill each square with the corresponding part number desired. Once completed you will have created your custom exosphere code.

Mounting Brackets



PT# 70697
Permanent Vertical Mounting Bracket



PT# 70699
Foldable Hydraulic Mounting Bracket

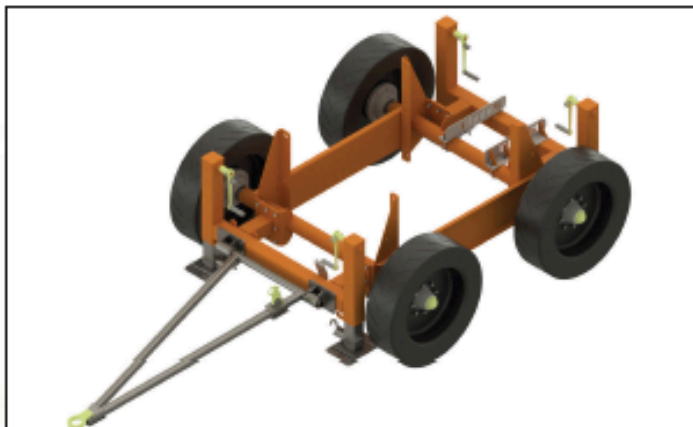
Accessories



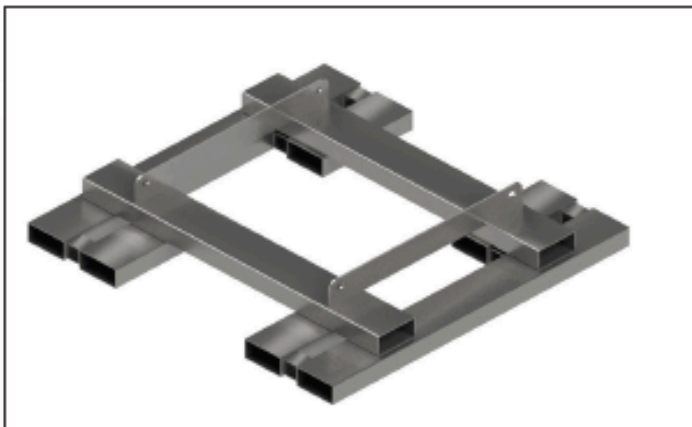
PT# 71210
Rescue Bracket Kit



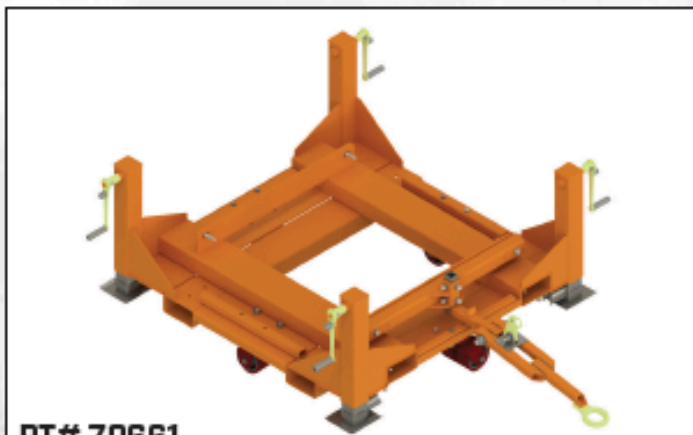
PT# 70516
Leveling Kit for Foldable



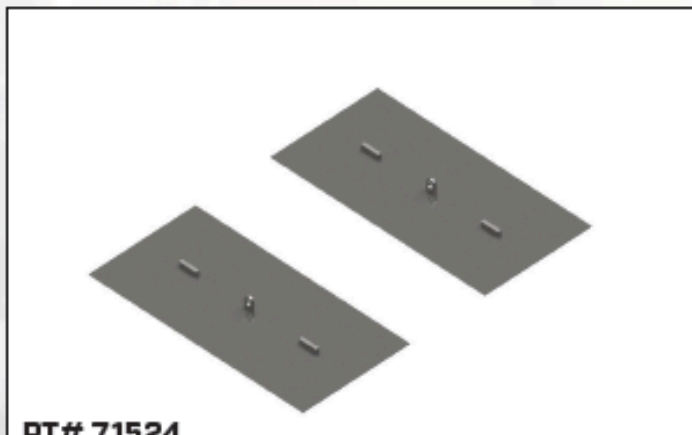
PT# 70497
Transport base for soft terrain (Outdoor Push/Pull)



PT# 70532
Stabilizer base for concrete



PT# 70661
Transport base for finished floor (Indoor Push/Pull)



PT# 71524
Soft surface base plates (70532 add-on)

