

*Stay safe and be free*

**TUFF BUILT**  
PRODUCTS INC.

# Exosphere All Terrain 4x4 Fall Protection Anchor System



## Features

- Lightweight
- Easy, fast setup time
- Energy absorbing design

**Category 20**



## Revolutionizing the industry 2 anchors at a time!



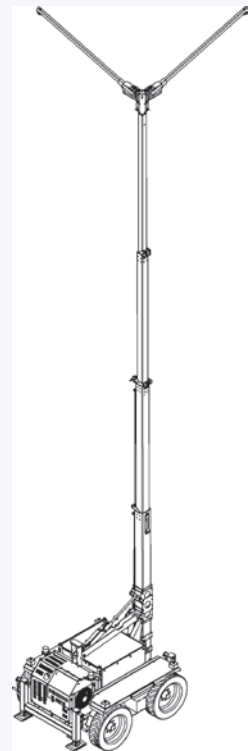
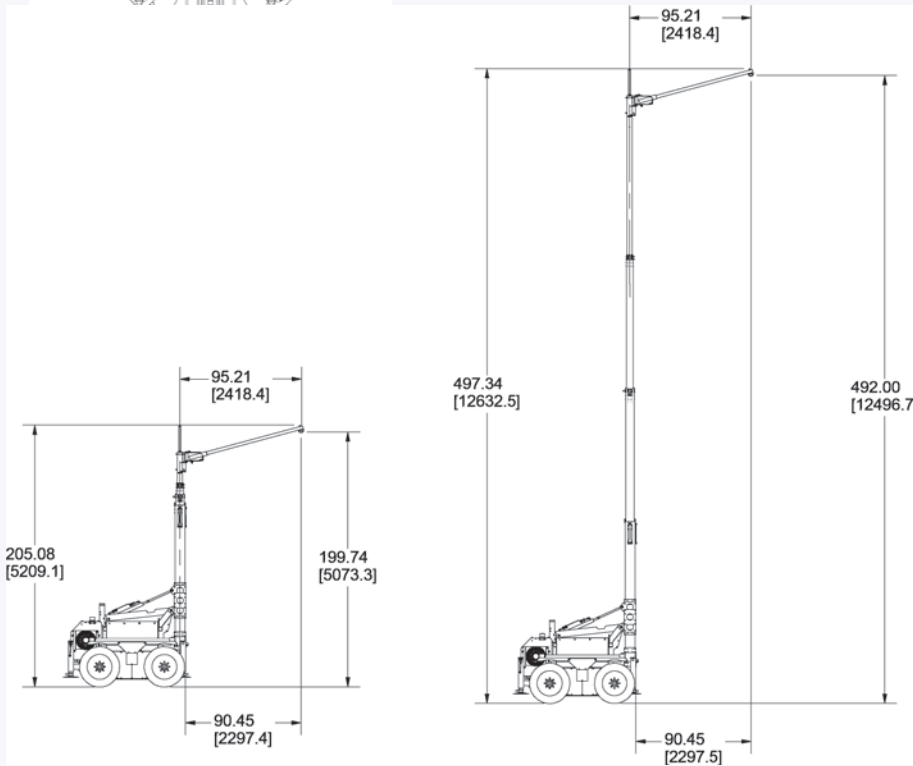
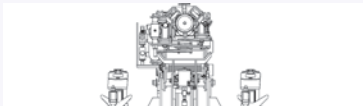
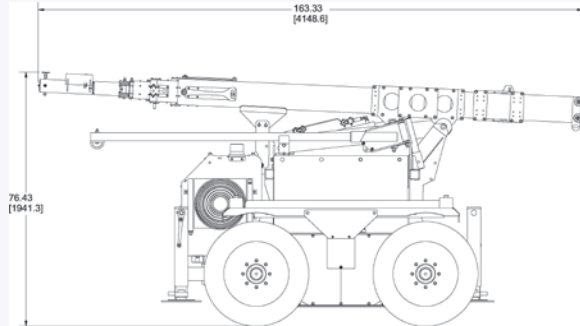
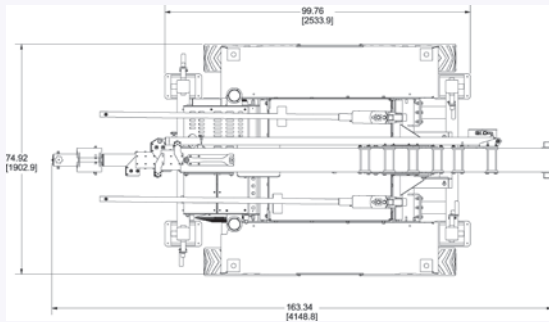
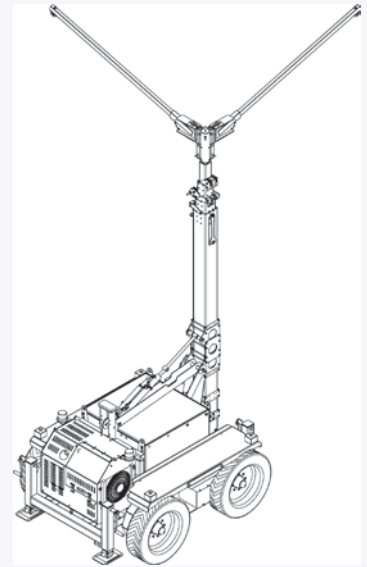
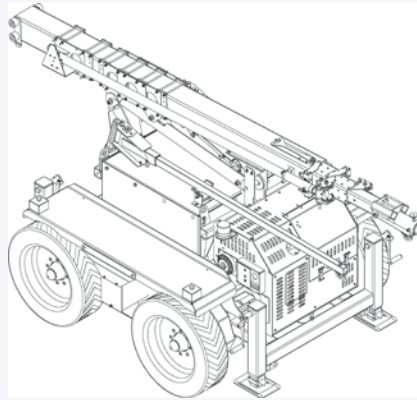
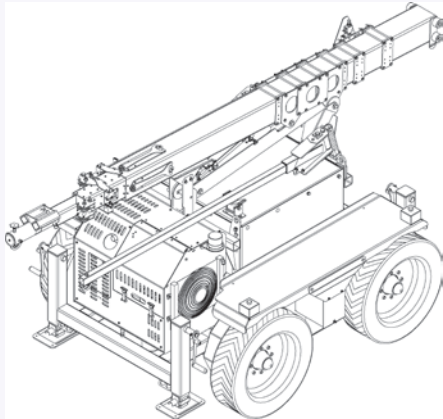
The Exosphere Anchor 4X4 All-Terrain System is the solution for workers exposed to fall arrest hazards in industries across the country, where traditional products just can not handle to job. This is a versatile system that will increase productivity, reduce lost time, and prevent injuries. All while guaranteeing the absolute highest level of fall protection.

The Exosphere Anchor 4X4 All-Terrain system is a self-contained hydraulic system that is operated via wireless (or wired) remote control. Driving, setup and Anchor height adjusting is all carried out with a simple to follow remote control.

Unprecedented 4 stage telescoping mast, adjustable 42 ft (12.8m) anchor point height and a variety of anchor options; 1-4 person, 54 inch (1.3m) to 94 inch (2.3 m). Heavy duty skid steer tire, four (4) emergency stop switches, audible warning alarm, Hi-vis strobe lights, Heavy duty leveling jacks and a manual rescue system are some of the standard features built into the Exosphere Anchor 4X4 system.



**Weight: 7,400 (3,363 kg)**



**Pt# 70764**

## Other Product Categories:

1. Winches & Accessories
2. Self Retracting Lifelines & Accessories
3. Tripods & Accessories
4. Hoists, Davits & Accessories
5. Portable Bases
6. Permanent Bases
7. Pole Hoists & Horizontal Entry Systems
8. Beam Clamps & Anchor Points
9. Mobile Stair Systems with Fall Protection
10. A-Frames & Quad-Frames
11. Mobile Horizontal Rail Systems
12. Portable Anchor Points & Restricted Space Davit Systems
13. Handrailing Systems & Accessories
14. Horizontal Rail & Trolley Systems
15. Rescue Systems & Accessories
16. Portable Fall Arrest Anchor Posts
17. Tuff-Step Access Systems & Accessories
18. Exosphere Customizable Portable Fall Protection Anchor Systems
19. Exosphere Highway Trailer Fall Protection Anchor System
20. Exosphere All Terrain 4x4 Fall Protection Anchor System
21. Custom Fabrication Engineering



## Mailing Address:

122 Paquin Road  
Winnipeg, Manitoba, Canada  
R2J 3V4



Toll Free: 1-877-422-6053  
Tel: 1-204-222-4025  
Fax: 1-204-222-4080  
[www.tuffbuiltproducts.com](http://www.tuffbuiltproducts.com)