

Stay safe and be free

TUFF BUILT

PRODUCTS INC.

Exosphere Highway Trailer Fall Protection Anchor System



Features

- Lightweight
- Easy, fast setup time
- Energy absorbing design

Category 19



Revolutionizing the industry 2 anchors at a time!



Before you buy, look for this mark.

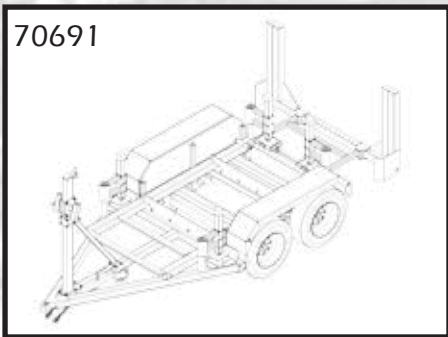
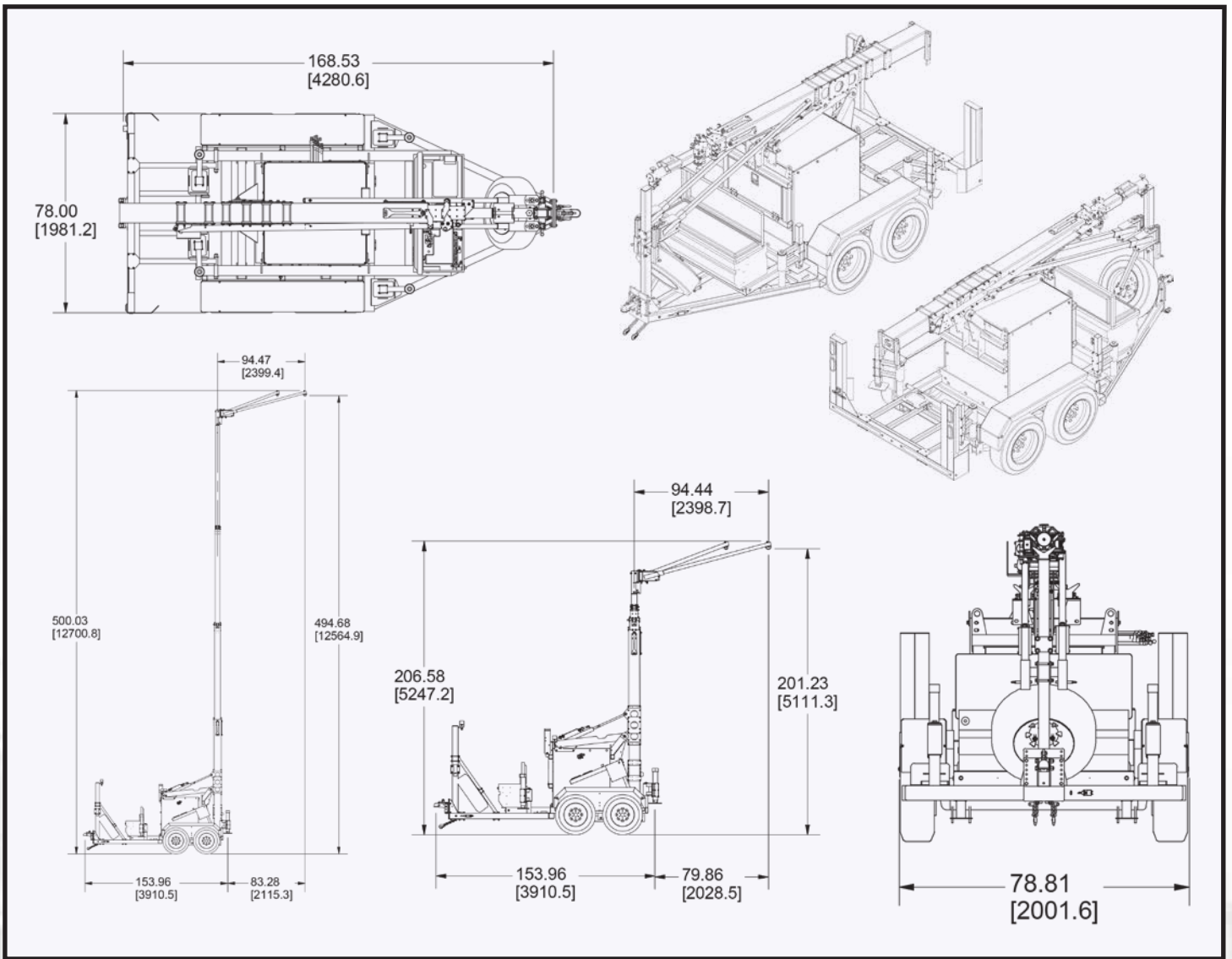
Trailer manufacture proudly displaying the NATM Compliance Decal signify they comply with established industry standards and U.S. DOT's federal motor vehicle safety standards and regulations.

It is the mark of a high standard

The Exosphere Anchor Highway Trailer System is the solution for workers exposed to fall arrest hazards in industries across the country, where traditional products just can not handle to job. This is a versatile system that will increase productively, reduce lost time, and prevent injuries. All while guaranteeing the absolute highest level of fall protection.

The Exosphere Anchor Highway Trailer system is a self-contained 12V Electric/Hydraulic system that is operated via simple valve operation. Setup and Anchor height adjusting is all carried out with a simple to follow controls.

Unprecedented 4 stage telescoping mast, adjustable 42 ft (12.8m) anchor point height and a variety of anchor options; 1-4 person, 54 inch (1.3m) to 94 inch (2.3 m). Heavy duty trailer frame, all four (4) tires are equipped with electric brakes, full size spare tire, emergency break away system, Battery charging system, Heavy duty leveling jacks, Ball Hitch (or pintle) and a manual rescue system are some of the standard features built into the Exosphere Anchor Highway Trailer System.



- Heavy Duty steel welded frame
- Full size spare tire
- D.O.T. Approved Lighting
- Four (4) Electric brakes
- Emergency brake away kit
- Adjustable hitch adapter (2-5/16" ball coupler OR 3-1/2" Pintle)
- Two 6000Lbs. capacity axles

Part #	Max. Height	Anchor points	Components	Price
70724	24	2	70623, 70613, 70699, 70694, 70703, 70691	
70725	30	2	70623, 70614, 70699, 70694, 70703, 70691	
70726	38	2	70623, 70615, 70699, 70694, 70703, 70691	
70787	24	2	70747, 70613, 70699, 70694, 70703, 70691	
70788	30	2	70747, 70614, 70699, 70694, 70703, 70691	
70789	38	2	70747, 70615, 70699, 70694, 70703, 70691	
70741	24	3	70693, 70613, 70699, 70694, 70703, 70691	
70742	30	3	70693, 70614, 70699, 70694, 70703, 70691	
70743	38	3	70693, 70615, 70699, 70694, 70703, 70691	

Note: Other complete packages available ~ Please call 1-877-422-6053 for more information **3**

Other Product Categories:

1. Winches & Accessories
2. Self Retracting Lifelines & Accessories
3. Tripods & Accessories
4. Hoists, Davits & Accessories
5. Portable Bases
6. Permanent Bases
7. Pole Hoists & Horizontal Entry Systems
8. Beam Clamps & Anchor Points
9. Mobile Stair Systems with Fall Protection
10. A-Frames & Quad-Frames
11. Mobile Horizontal Rail Systems
12. Portable Anchor Points & Restricted Space Davit Systems
13. Handrailing Systems & Accessories
14. Horizontal Rail & Trolley Systems
15. Rescue Systems & Accessories
16. Portable Fall Arrest Anchor Posts
17. Tuff-Step Access Systems & Accessories
18. Exosphere Customizable Portable Fall Protection Anchor Systems
19. Exosphere Highway Trailer Fall Protection Anchor System
20. Exosphere All Terrain 4x4 Fall Protection Anchor System
21. Custom Fabrication Engineering



Mailing Address:

122 Paquin Road
Winnipeg, Manitoba, Canada
R2J 3V4



Toll Free: 1-877-422-6053
Tel: 1-204-222-4025
Fax: 1-204-222-4080
www.tuffbuiltproducts.com