

Stay safe and be free

TUFF BUILT

PRODUCTS INC.

Exosphere Anchor Systems Customizable Fall Protection



Features

- Lightweight
- Easy, fast setup time
- Energy absorbing design

Category 18



This is how it's done now.



Revolutionary
Approach To Fall Protection!

Faster productivity and 100% safer with an

Exosphere Anchor System

Setup time 2 to 10 minutes

Costs as low as \$35/day



This is how it should be done!

Build your Exosphere

Part #	Description	Price
70706	24" Single 360° rail rotation	
70707	54" Single 360° rotation	
70693	10" Triple 360° rotation	
70704	94" Single extended 360°/180° rotation	
70623	94" Double extended 360°/180° rotation	
70705	54" Quadruple 360°/180° rotation	
70747	48" Double 360°/180° rotation	

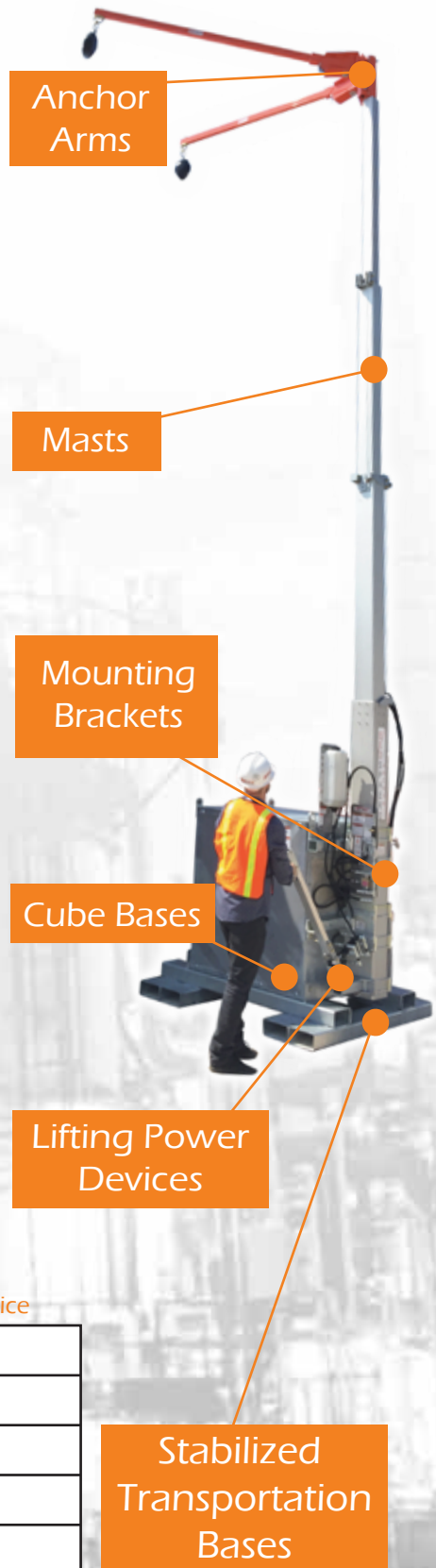
Part #	Description	Price
70611	14' four stage	
70612	18' four stage	
70613	24' four stage	
70614	30' four stage	
70615	38' four stage	

Part #	Description	Price
70697	Permanent vertical	
70698	Foldable manual	
70699	Foldable hydraulic	

Part #	Description	Price
70696	6,740 lbs, cube with concrete	
70695	4,790 lbs, cube with concrete	
70694	3,350 lbs, used with 70691 & 70501 only	

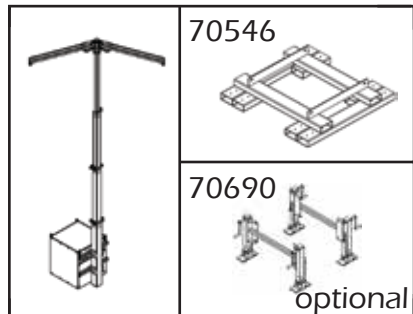
Part #	Description	Price
70700	Winch	
70701	Manual hydraulic (MH)	
70702	110/ 220 hydraulic	
70703	12v hydraulic (12VH)	

Part #	Description	Price
70546	Stabilizer Base for concrete	
70692	Stabilizer Base for soft terrain	
70690	Leveling kit add on	
70661	Transport Base for finished floor	
70497	Heavy duty Trailer	
70744	Heavy duty Trailer with non-marking tires	
70501	Heavy duty 4x4 self propelled base	
70691	Highway Trailer (D.O.T Approved)	



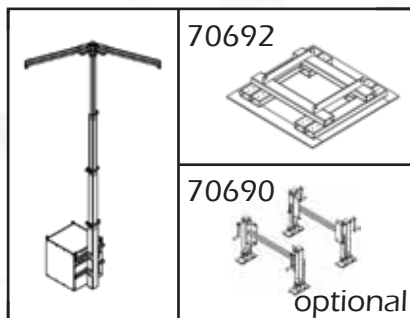
Complete Packages

For Concrete Surfaces



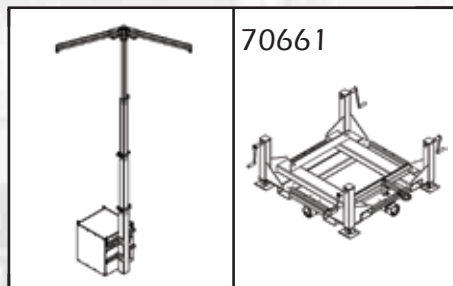
Part #	Max. Height	Anchor points	Part # components	Price
70710	14	2	70623, 70611, 70697, 70696, 70701(MH), 70546	
70711	18	2	70623, 70612, 70697, 70696, 70701(MH), 70546	
70712	24	2	70623, 70613, 70697, 70696, 70701(MH), 70546	

For Soft Surfaces



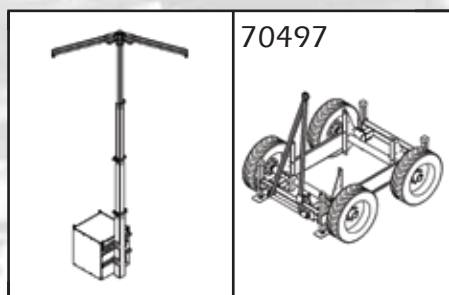
Part #	Max. Height	Anchor points	Part # components	Price
70716	24	2	70623, 70613, 70697, 70696, 70701(MH), 70692	
70717	38	2	70623, 70615, 70697, 70696, 70701(MH), 70692	

For Indoor: Push/pull



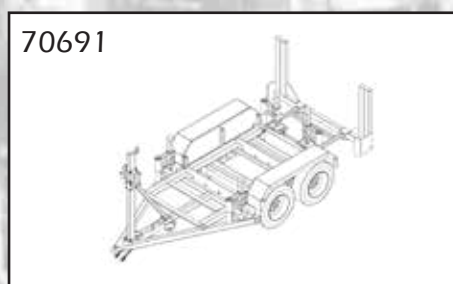
Part #	Max. Height	Anchor points	Part # components	Price
70718	18	2	70623, 70612, 70697, 70696, 70701(MH), 70661	
70719	24	2	70623, 70613, 70697, 70696, 70701(MH), 70661	
70635	38	2	70623, 70615, 70697, 70696, 70701(MH), 70661	

For Outdoor: Push/pull



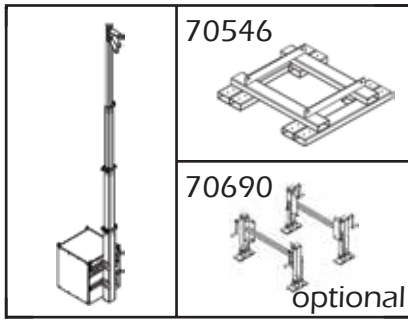
Part #	Max. Height	Anchor points	Part # components	Price
70721	24	2	70623, 70613, 70697, 70694, 70701(MH), 70497	
70722	30	2	70623, 70614, 70697, 70694, 70701(MH), 70497	
70723	38	2	70623, 70615, 70697, 70694, 70701(MH), 70497	

For Highway Travel



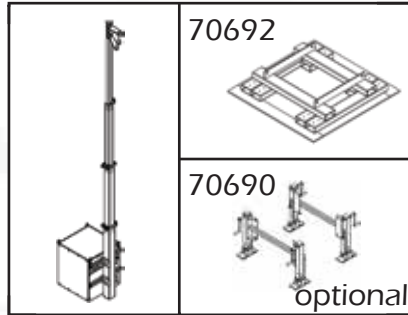
Part #	Max. Height	Anchor points	Part # components	Price
70724	24	2	70623, 70613, 70699, 70694, 70703(12VH), 70691	
70725	30	2	70623, 70614, 70699, 70694, 70703(12VH), 70691	
70726	38	2	70623, 70615, 70699, 70694, 70703(12VH), 70691	

For Concrete Surfaces



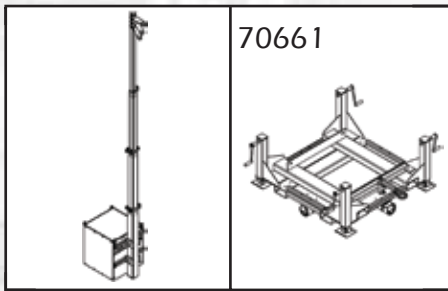
Part #	Max. Height	Anchor points	Part # components	Price
70727	14	3	70693, 70611, 70697, 70696, 70701(MH), 70546	
70728	18	3	70693, 70612, 70697, 70696, 70701(MH), 70546	
70729	24	3	70693, 70613, 70697, 70696, 70701(MH), 70546	

For Soft Surfaces



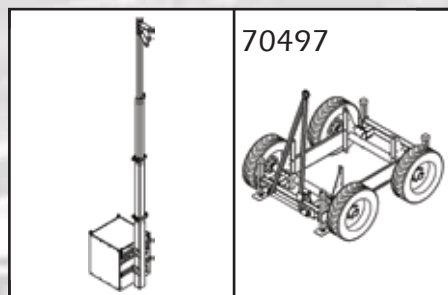
Part #	Max. Height	Anchor points	Part # components	Price
70733	24	3	70693, 70613, 70697, 70696, 70701(MH), 70692	
70734	38	3	70693, 70615, 70697, 70696, 70701(MH), 70692	

For Indoor: Push/pull



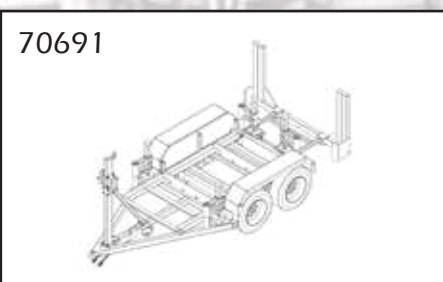
Part #	Max. Height	Anchor points	Part # components	Price
70735	18	3	70693, 70612, 70697, 70696, 70701(MH), 70661	
70736	24	3	70693, 70613, 70697, 70696, 70701(MH), 70661	
70737	38	3	70693, 70615, 70697, 70696, 70701(MH), 70661	

For Outdoor: Push/pull



Part #	Max. Height	Anchor points	Part # components	Price
70738	24	3	70693, 70613, 70697, 70694, 70701(MH), 70497	
70739	30	3	70693, 70614, 70697, 70694, 70701(MH), 70497	
70740	38	3	70693, 70615, 70697, 70694, 70701(MH), 70497	

For Highway Travel

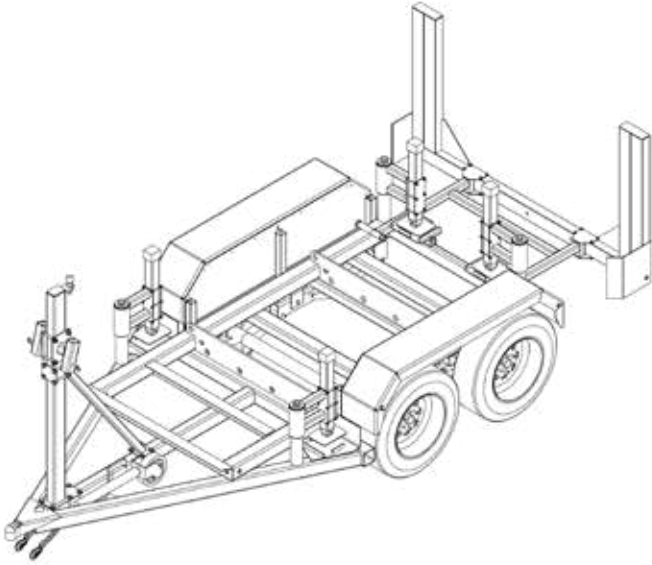


Part #	Max. Height	Anchor points	Part # components	Price
70741	24	3	70693, 70613, 70699, 70694, 70703(12VH), 70691	
70742	30	3	70693, 70614, 70699, 70694, 70703(12VH), 70691	
70743	38	3	70693, 70615, 70699, 70694, 70703(12VH), 70691	

Note: Other complete packages available ~ Please call 1-877-422-6053 for more information

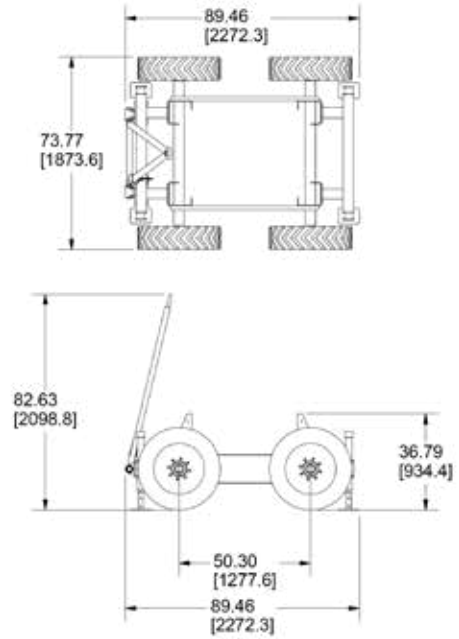
Specifications

Highway Trailer PT#70691



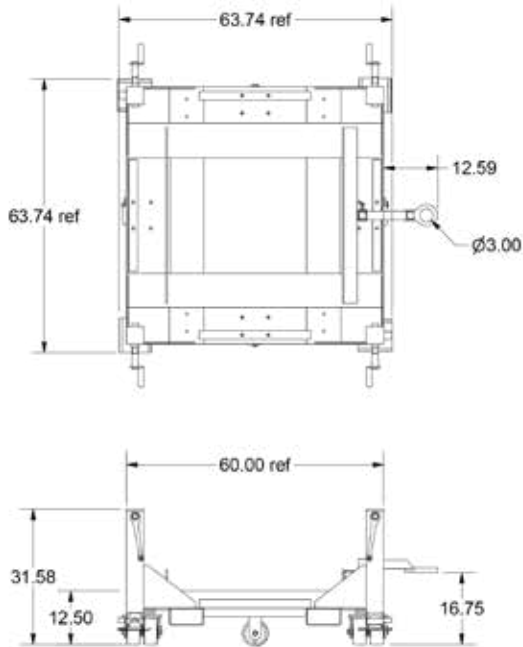
Weight (est) 2000.0 lbs (909.1 kgs)

Push/Pull outdoor heavy duty PT#70491



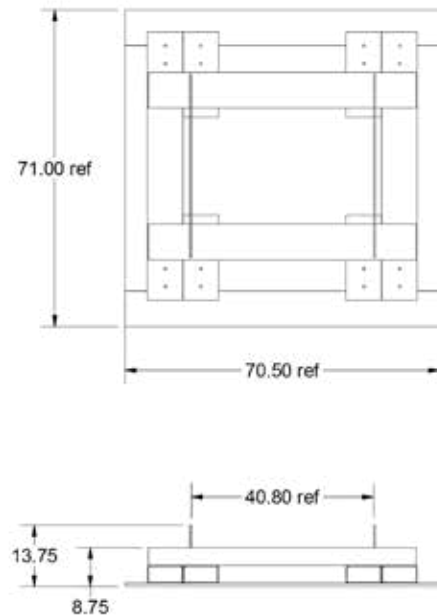
Weight (est) 1700.0 lbs (772.7 kgs)

Push/Pull indoor heavy duty PT#70661



Weight (est) 740.0 lbs (336.4 kgs)

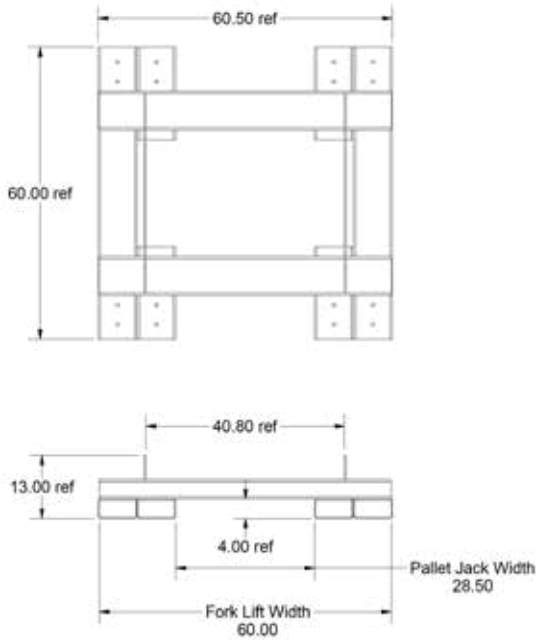
Wide base for soft terrain PT#70692



Weight (est) 598.0 lbs (271.8 kgs)

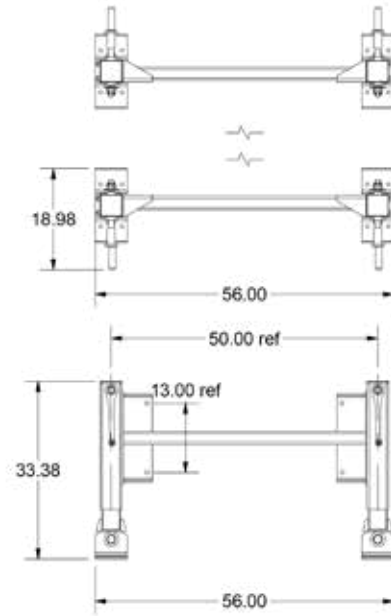
Specifications

Regular: for concrete
PT#70546



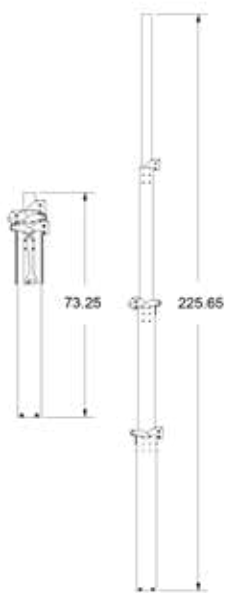
Weight (est) 550.0 lbs (250.0 kgs)

Leveling Kit
PT#70690



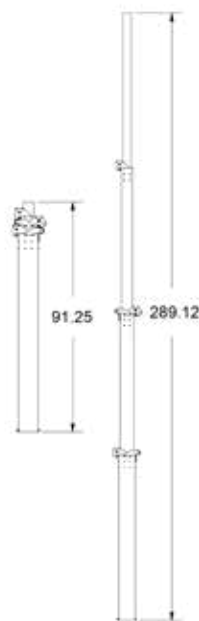
Weight (est) 447.0 lbs (203.2 kgs)

18' Mast
PT#70612



Weight (est) 184.0 lbs
(83.6 kgs)

24' Mast
PT#70613



Weight (est) 221.0 lbs
(100.5 kgs)

38' Mast
PT#70615



Weight (est) 312.0 lbs
(141.8 kgs)

Other Product Categories:

1. Winches & Accessories
2. Self Retracting Lifelines & Accessories
3. Tripods & Accessories
4. Hoists, Davits & Accessories
5. Portable Bases
6. Permanent Bases
7. Pole Hoists & Horizontal Entry Systems
8. Beam Clamps & Anchor Points
9. Mobile Stair Systems with Fall Protection
10. A-Frames & Quad-Frames
11. Mobile Horizontal Rail Systems
12. Portable Anchor Points & Restricted Space Davit Systems
13. Handrailing Systems & Accessories
14. Horizontal Rail & Trolley Systems
15. Rescue Systems & Accessories
16. Portable Fall Arrest Anchor Posts
17. Tuff-Step Access Systems & Accessories
18. Exosphere Customizable Portable Fall Protection Anchor Systems
19. Exosphere Highway Trailer Fall Protection Anchor System
20. Exosphere All Terrain 4x4 Fall Protection Anchor System
21. Custom Fabrication Engineering



Mailing Address:

122 Paquin Road
Winnipeg, Manitoba, Canada
R2J 3V4



Toll Free: 1-877-422-6053
Tel: 1-204-222-4025
Fax: 1-204-222-4080
www.tuffbuiltproducts.com