

Stay safe and be free

TUFF BUILT

PRODUCTS INC.

Exosphere Anchor Systems Customizable Fall Protection



Features

- Lightweight
- Easy, fast setup time
- Energy absorbing design

Category 18



Build your Exosphere

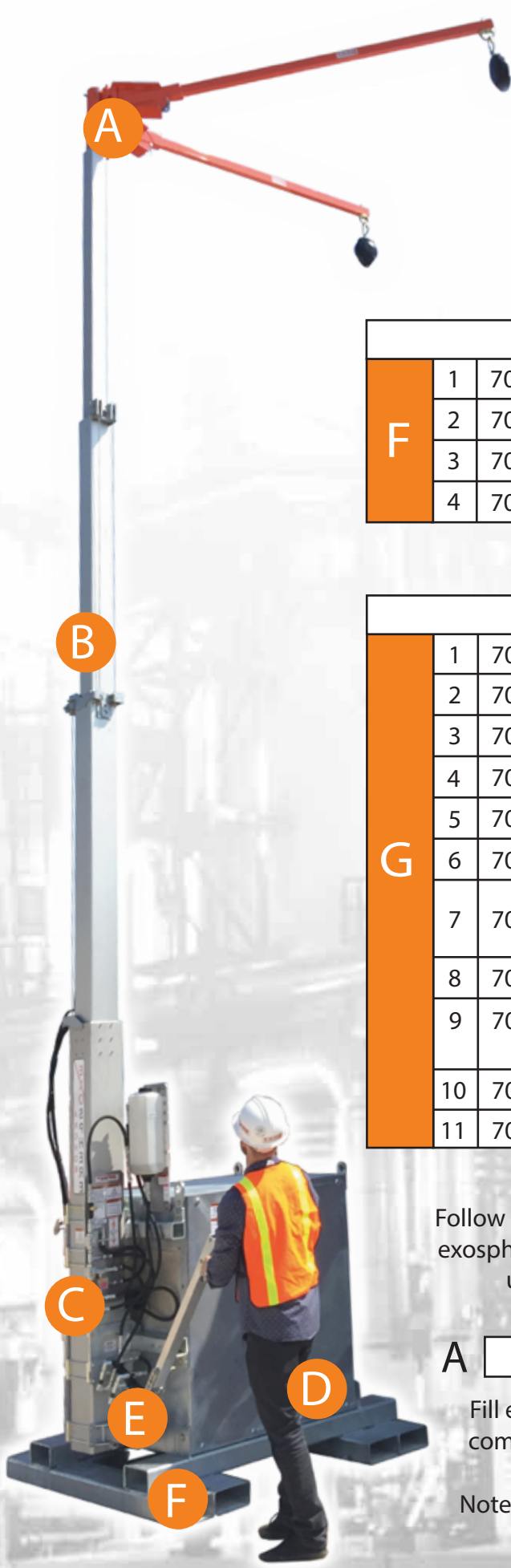
Anchor Arms			
A	1	70706	24" Double 360° rotation arms
	2	70693	10" Triple 360° rotation anchors
	3	DISCONTINUED	Double 360° rotation arms
	4	70705	48" Quadruple 360° / 180° rotation arms
	5	70747	48" Double 360° / 180° rotation arms
	6	70917	72" Double 360° / 180° rotation arms

Masts			
B	1	70611	Hydraulic 14' two stage
	2	70612	Hydraulic 18' two stage
	3	70613	Hydraulic 24' four stage
	4	70614	Hydraulic 30' four stage
	5	70615	Hydraulic 38' four stage
	6	70974	Winch Operated 14' two stage
	7	70975	Winch Operated 18' two stage
	8	70976	Winch Operated 24' four stage

Mounting Brackets			
C	1	70697	Permanent vertical
	2	70698	Foldable manual (winch only)
	3	70699	Foldable hydraulic

Cube Bases			
D	1	70694	3,350 Lbs, used with #70691 & 70501 only
	2	70695	4,790 Lbs, Cube with concrete
	3	70696	6,740 Lbs, Cube with concrete

Lifting Power Devices			
E	1	70700	Winch for 14', 18' & 24'
	2	70701	Manual Hydraulic for vertical lift only (all bases)
	3	70702	110 / 220 Hydraulic for vertical lift only (all bases)
	4	70703	12v hydraulic (12VH) for Highway Trailer only
	5	70969	Manual Hydraulic for vertical and foldable lift (all bases excluding outdoor push/pull)
	6	70970	Manual Hydraulic for vertical and foldable lift (outdoor push/pull)
	7	70971	110 / 220 Hydraulic for vertical and foldable lift (all bases)
	8	70972	12v Hydraulic for vertical and foldable lift (all bases)
	9	70973	12v Hydraulic for vertical only (all bases)



Stabilized Transport Bases

F	1	70497	Transport base for soft terrain (outdoor push/pull)	
	2	70546	Stabilizer base for concrete	
	3	70661	Transport base for finished floor (indoor push/pull)	
	4	70692	Stabilizer base for soft terrain	

Accessories

G	1	70988	Anchor Point Adjustable	
	2	70990	Lighting Mounting Arm (up to 4 lights)	
	3	70991	Lighting 50" LED 288W (2pc) with Reel	
	4	70992	Lighting Generator (3000W, Gasoline)	
	5	70987	25 US Gallon Fuel Tank (70501 only)	
	6	70881	Leveling Kit for Vertical (30/38' only)	
	7	70989	Non-Marking Orange Tire Upgrade (70497 & 70501 only)	
	8	70516	Leveling kit for Foldable (70546 & 70612 only)	
	9	70690	Leveling kit for Vertical (70546 & 70612 only)(18/24' only)	
	10	70968	Propane Conversion (70501 only)	
	11	70895	Solar Panel kit (12V only)	

Follow the example provided below to create a custom code for your exosphere. When contacting a sales representative/distributor please use the code to ensure ease of pricing and/or drawings.

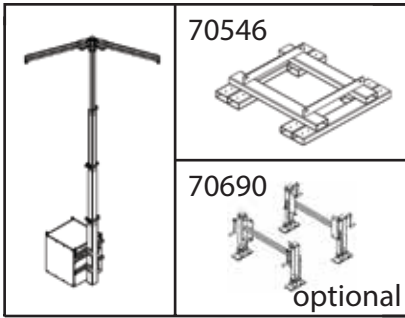
A - B - C - D - E - F - G

Fill each square with the corresponding number desired. Once completed you will have created your custom exosphere code.

Note: Premade packages are also available in categories 19 & 20.

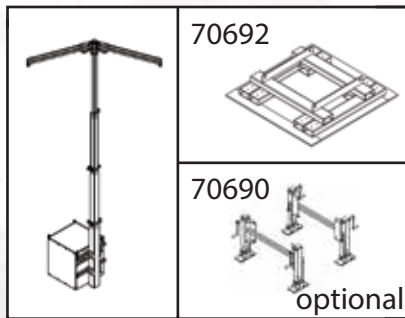
Complete Packages

For Concrete Surfaces



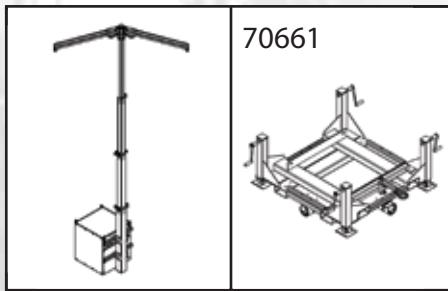
Part #	Max. Height	Anchor points	Part # components	Price
70710	14	2	70917 , 70611 , 70697 , 70696 , 70701(MH) , 70546	
70711	18	2	70917 , 70612 , 70697 , 70696 , 70701(MH) , 70546	
70712	24	2	70917 , 70613 , 70697 , 70696 , 70701(MH) , 70546	

For Soft Surfaces



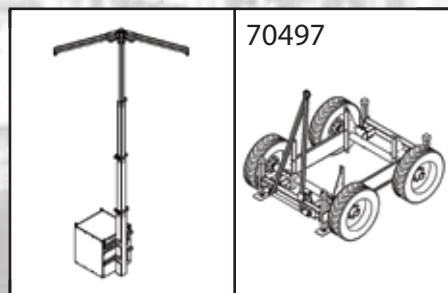
Part #	Max. Height	Anchor points	Part # components	Price
70716	24	2	70917 , 70613 , 70697 , 70696 , 70701(MH) , 70692	
70717	38	2	70917 , 70615 , 70697 , 70696 , 70701(MH) , 70692	

For Indoor: Push/pull



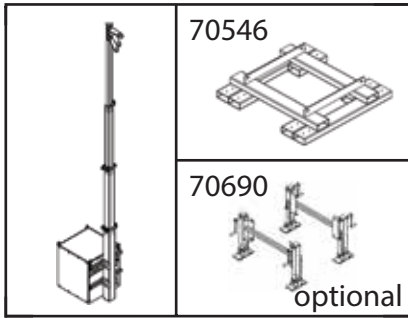
Part #	Max. Height	Anchor points	Part # components	Price
70718	18	2	70917 , 70612 , 70697 , 70696 , 70701(MH) , 70661	
70719	24	2	70917 , 70613 , 70697 , 70696 , 70701(MH) , 70661	
70635	38	2	70917 , 70615 , 70697 , 70696 , 70701(MH) , 70661	

For Outdoor: Push/pull



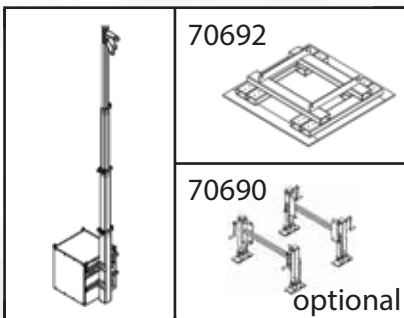
Part #	Max. Height	Anchor points	Part # components	Price
70721	24	2	70917 , 70613 , 70697 , 70694 , 70701(MH) , 70497	
70722	30	2	70917 , 70614 , 70697 , 70694 , 70701(MH) , 70497	
70723	38	2	70917 , 70615 , 70697 , 70694 , 70701(MH) , 70497	

For Concrete Surfaces



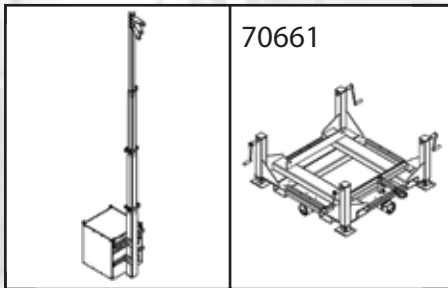
Part #	Max. Height	Anchor points	Part # components	Price
70727	14	3	70693, 70611, 70697, 70696, 70701(MH), 70546	
70728	18	3	70693, 70612, 70697, 70696, 70701(MH), 70546	
70729	24	3	70693, 70613, 70697, 70696, 70701(MH), 70546	

For Soft Surfaces



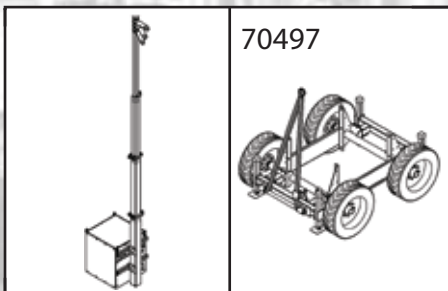
Part #	Max. Height	Anchor points	Part # components	Price
70733	24	3	70693, 70613, 70697, 70696, 70701(MH), 70692	
70734	38	3	70693, 70615, 70697, 70696, 70701(MH), 70692	

For Indoor: Push/pull



Part #	Max. Height	Anchor points	Part # components	Price
70735	18	3	70693, 70612, 70697, 70696, 70701(MH), 70661	
70736	24	3	70693, 70613, 70697, 70696, 70701(MH), 70661	
70737	38	3	70693, 70615, 70697, 70696, 70701(MH), 70661	

For Outdoor: Push/pull

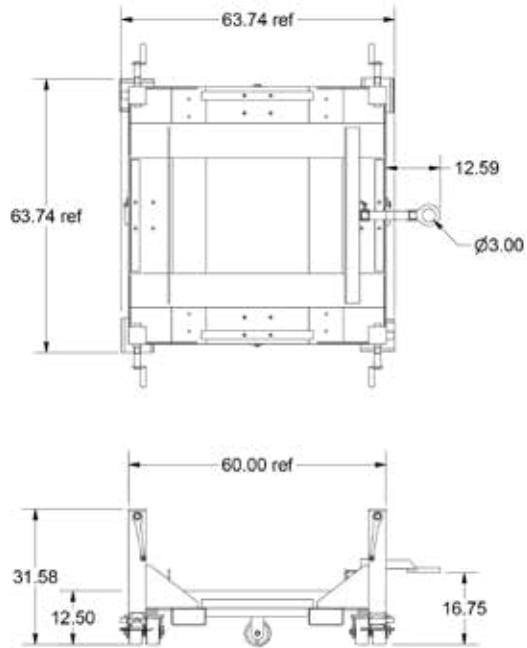


Part #	Max. Height	Anchor points	Part # components	Price
70738	24	3	70693, 70613, 70697, 70694, 70701(MH), 70497	
70739	30	3	70693, 70614, 70697, 70694, 70701(MH), 70497	
70740	38	3	70693, 70615, 70697, 70694, 70701(MH), 70497	

Specifications

Push/Pull indoor heavy duty

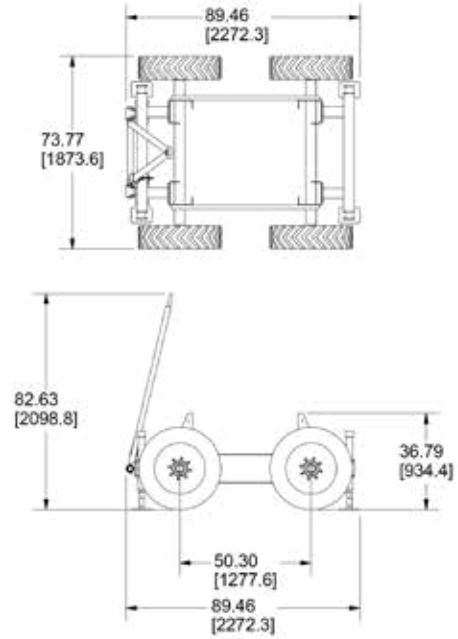
PT#70661



Weight (est) 1020 lbs (462.7 kgs)

Push/Pull outdoor heavy duty

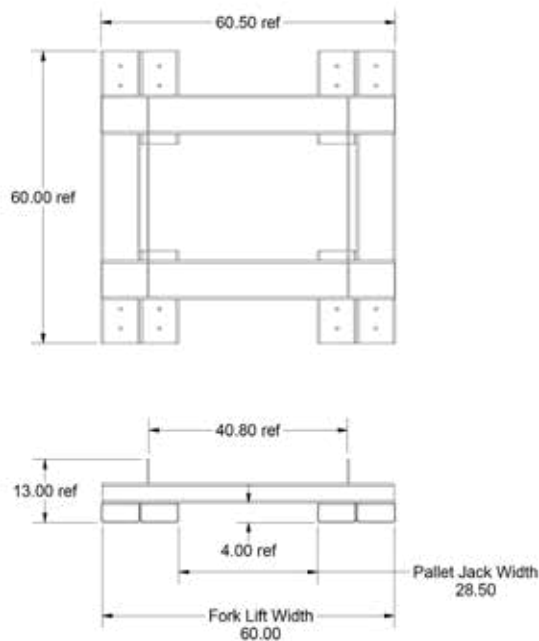
PT#70497



Weight (est) 1700.0 lbs (772.7 kgs)

Regular: for concrete

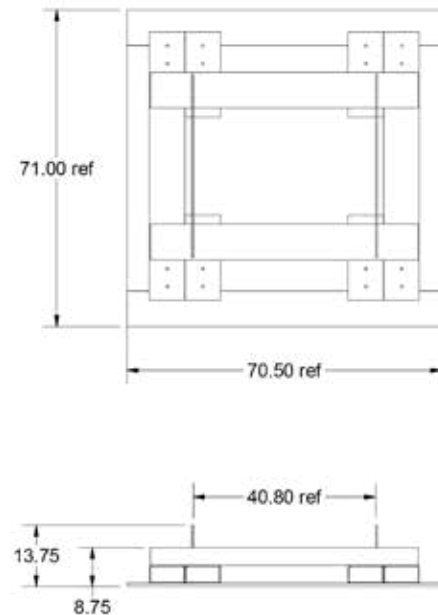
PT#70546



Weight (est) 550.0 lbs (250.0 kgs)

Wide base for soft terrain

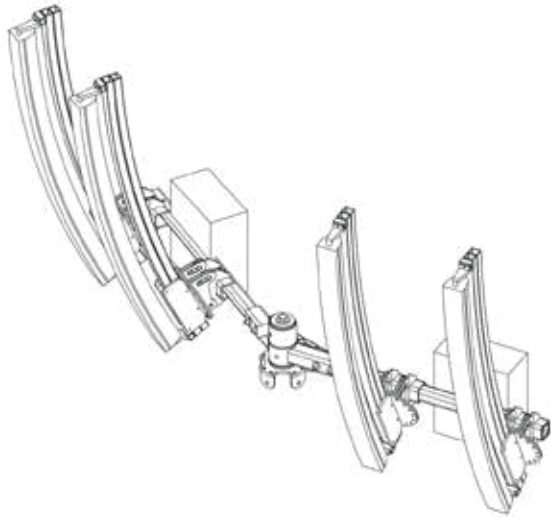
PT#70692



Weight (est) 598.0 lbs (271.8 kgs)

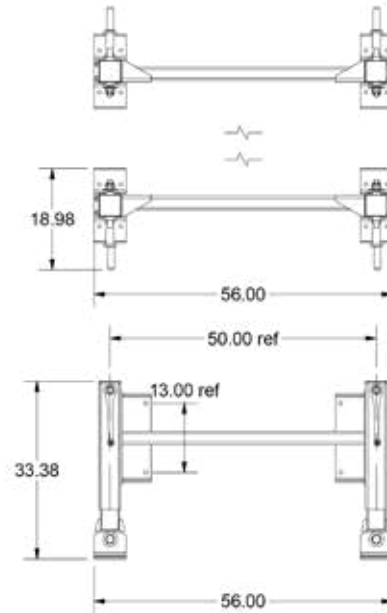
Specifications

50" LED Lighting PT#70916



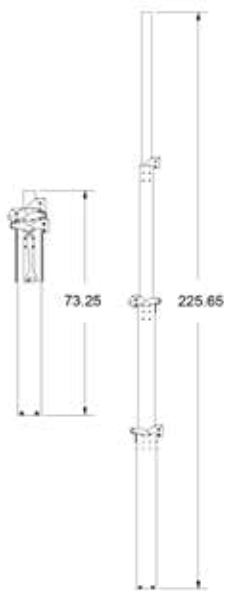
Weight (est) 700.0 lbs (317.5 kgs)

Leveling Kit PT#70690



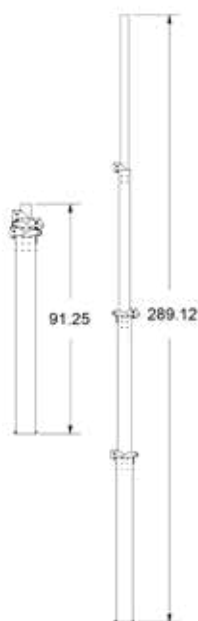
Weight (est) 447.0 lbs (203.2 kgs)

18' Mast PT#70612



Weight (est) 184.0 lbs
(83.6 kgs)

24' Mast PT#70613



Weight (est) 221.0 lbs
(100.5 kgs)

38' Mast PT#70615



Weight (est) 312.0 lbs
(141.8 kgs)

Other Product Categories:

1. Winches & Accessories
2. Self Retracting Lifelines & Accessories
3. Tripods & Accessories
4. Hoists, Davits & Accessories
5. Portable Bases
6. Permanent Bases
7. Pole Hoists & Horizontal Entry Systems
8. Beam Clamps & Anchor Points
9. Mobile Stair Systems with Fall Protection
10. A-Frames & Quad-Frames
11. Mobile Horizontal Rail Systems
12. Portable Anchor Points & Restricted Space Davit Systems
13. Handrailing Systems & Accessories
14. Horizontal Rail & Trolley Systems
15. Rescue Systems & Accessories
16. Portable Fall Arrest Anchor Posts
17. Tuff-Step Access Systems & Accessories
18. Exosphere Customizable Portable Fall Protection Anchor Systems
19. Exosphere Highway Trailer Fall Protection Anchor System
20. Exosphere All Terrain 4x4 Fall Protection Anchor System
21. Custom Fabrication Engineering



Mailing Address:

122 Paquin Road
Winnipeg, Manitoba, Canada
R2J 3V4



Toll Free: 1-877-422-6053
Tel: 1-204-222-4025
Fax: 1-204-222-4080
www.tuffbuiltproducts.com