

*Stay safe and be free*

# **TUFF BUILT**

PRODUCTS INC.

## **Horizontal Rail and Trolley System**



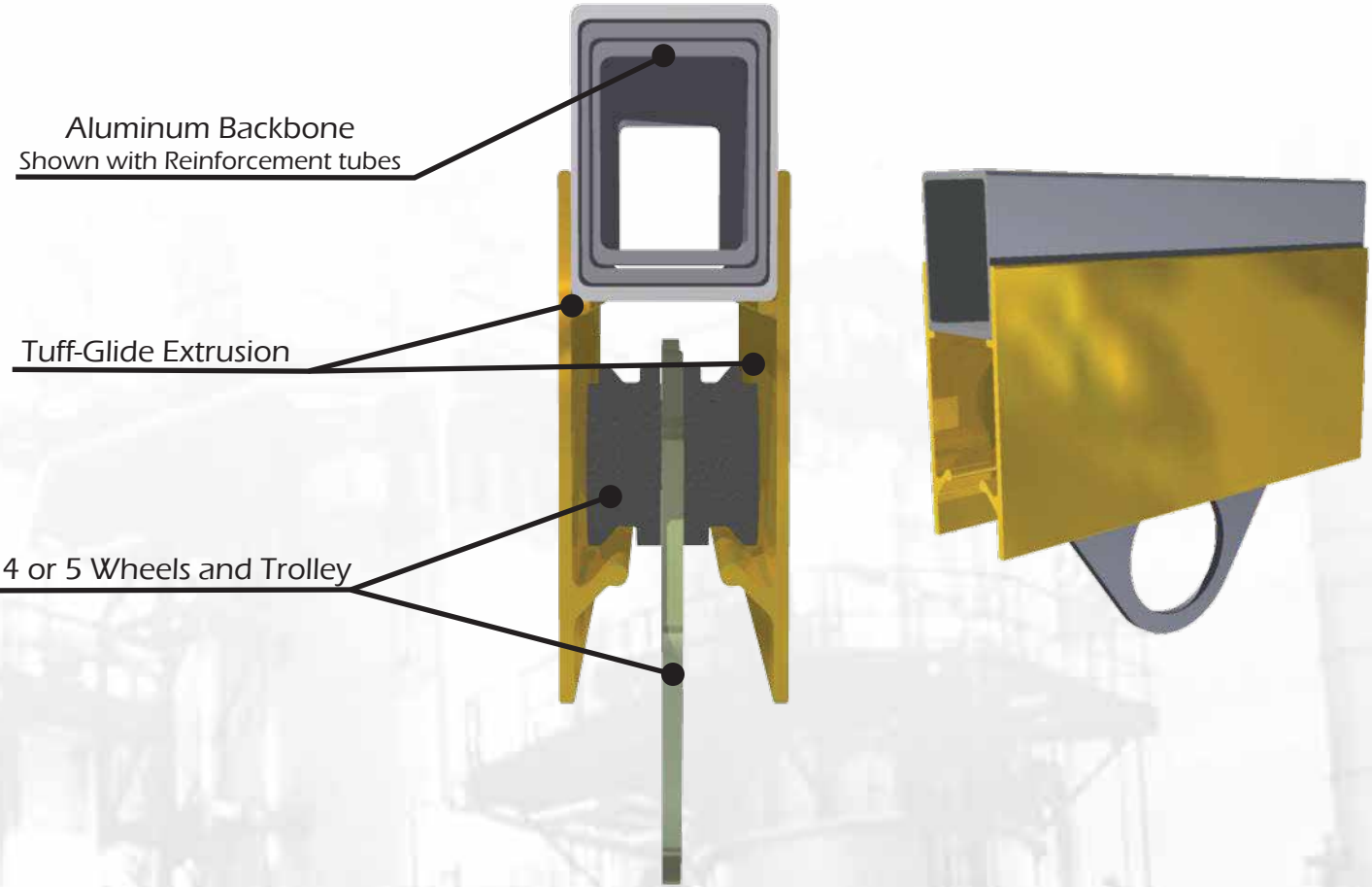
### **Features**

- Lightweight
- Easy, fast setup time
- Energy absorbing design

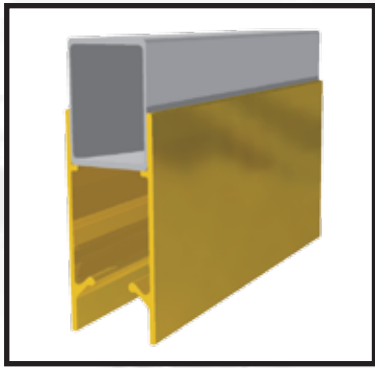
**Category 14**



Tuff Built Product's "Tuff-Glide" Horizontal Rail and Trolley System is a modular rail and trolley system designed for overhead installation to new or existing structure to provide overhead anchor points for personal fall protection.



Part #	Description	Weight	Price
70050	Tuff-Glide, 1 ft Rail (2 pieces of track & 1 piece of tube)	2.8lbs(1.3kgs)	
70051	Trolley, 3.25" eye (304 SS)	3.6lbs(1.6kgs)	
70052	Trolley, 3.25" eye (304 SS)	3.3lbs(1.5kgs)	
70055	Trolley, 3.25" eye (Mild Steel CS-500)	3.6lbs(1.6kgs)	
70056	Trolley, 3.25" eye (Mild Steel CS-500)	3.3lbs(1.5kgs)	
70060	Bracket, Tuff-Glide Swivel Hanger 2"-2.5" (5cm-6.3cm)	4.8lbs(2.2kgs)	
70061	Bracket, Tuff-Glide Mtg Rail 2" (5cm)	5.0lbs(2.3kgs)	
70062	Bracket, Tuff-Glide Hanger 2" (5cm)	2.7lbs(1.3kgs)	
70067	Trolley, 5/8" eye (Mild Steel CS-500)	2.8lbs(1.3kgs)	
70079	Trolley, 5/8" eye with Bumper	5.3lbs(2.4kgs)	



Pt# 70050



Pt# 70052



Pt# 70055



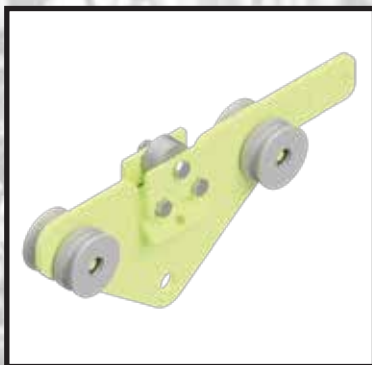
Pt# 70060



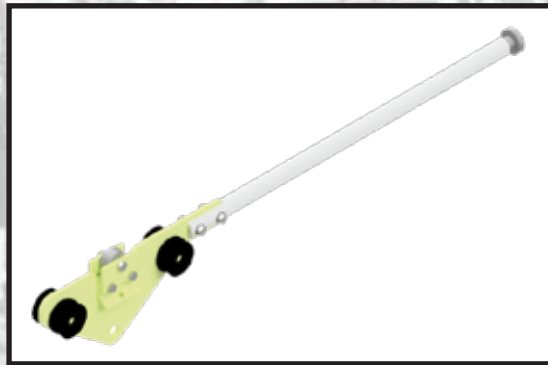
Pt# 70061



Pt# 70062



Pt# 70067



Pt# 70079

## Other Product Categories:

1. Winches & Accessories
2. Self Retracting Lifelines & Accessories
3. Tripods & Accessories
4. Hoists, Davits & Accessories
5. Portable Bases
6. Permanent Bases
7. Pole Hoists & Horizontal Entry Systems
8. Beam Clamps & Anchor Points
9. Mobile Stair Systems with Fall Protection
10. A-Frames & Quad-Frames
11. Mobile Horizontal Rail Systems
12. Portable Anchor Points & Restricted Space Davit Systems
13. Handrailing Systems & Accessories
14. Horizontal Rail & Trolley Systems
15. Rescue Systems & Accessories
16. Portable Fall Arrest Anchor Posts
17. Tuff-Step Access Systems & Accessories
18. Exosphere Customizable Portable Fall Protection Anchor Systems
19. Exosphere Highway Trailer Fall Protection Anchor System
20. Exosphere All Terrain 4x4 Fall Protection Anchor System
21. Custom Fabrication Engineering



## Mailing Address:

122 Paquin Road  
Winnipeg, Manitoba, Canada  
R2J 3V4



Toll Free: 1-877-422-6053  
Tel: 1-204-222-4025  
Fax: 1-204-222-4080  
[www.tuffbuiltproducts.com](http://www.tuffbuiltproducts.com)