

Stay safe and be free

TUFF BUILT

PRODUCTS INC.

Mobile Horizontal Rail System



Features

- Lightweight
- Easy, fast setup time
- Energy absorbing design

Category 11

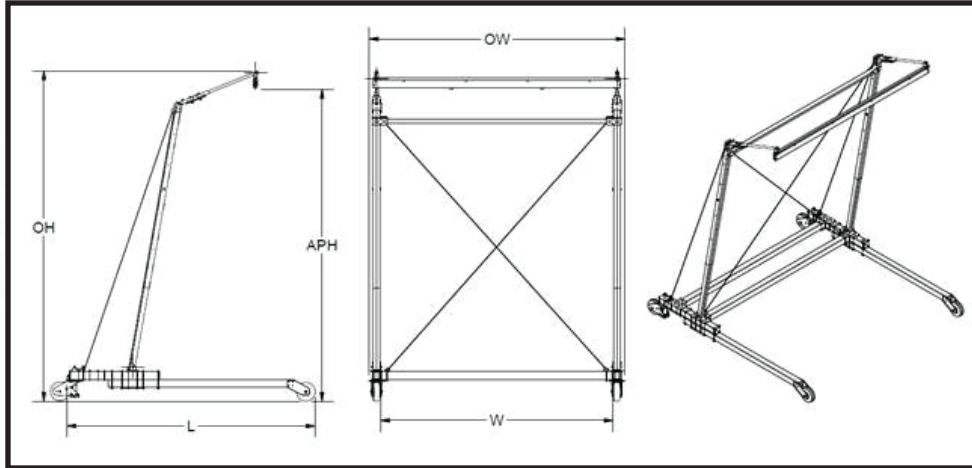


Mobile Horizontal Rail Systems roll up to elevated work surfaces and provide mobile anchor points for fall protection along the length of an elevated area.



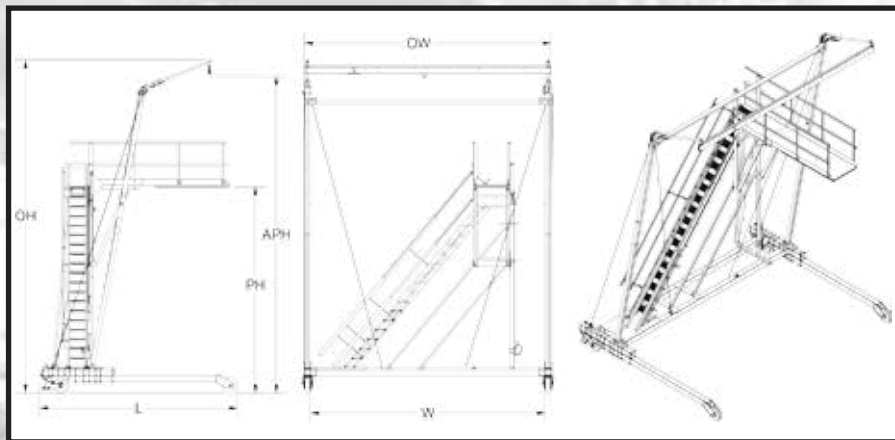
Mobile Horizontal Rail Systems may be fixed or adjustable in height. In addition, an access stair system with entrance platform can be incorporated to provide ground-up fall protection for your elevated work activities.

Pro-3 Series Fixed Height Mobile Horizontal Rail



Part #	Model	W (width Inside)	APH (Anchor Point Height)	OH (Overall Height)	L (Length)	OW (Overall Width)	# of Rails	# of Anchors	Wheels	Weight	Price
70033	SXS Pro-3, 9W-25H-1R-2A-RM	9'-0"	25'-5"	26'-9 1/2"	16'-1/2"	10'-6"	1	2	Rubber Molden	1975lbs/ 898kgs	
50090	SXS Pro-3, 15W-20H-1R-2A-RM	15'-0"	20'-1"	21'-3 3/4"	16'-0"	16'-6"	1	2	Rubber Molden	2015lbs/ 916kgs	
70382	SXS Pro-3, 20W-19H-1R-2A-U	20'-0"	19'-0"	21'-8"	17'-9 1/2"	21'-3"	1	2	Urethane	1700lbs/ 773kgs	

Pro-4 Series Fixed Height Mobile Horizontal Rail with Access



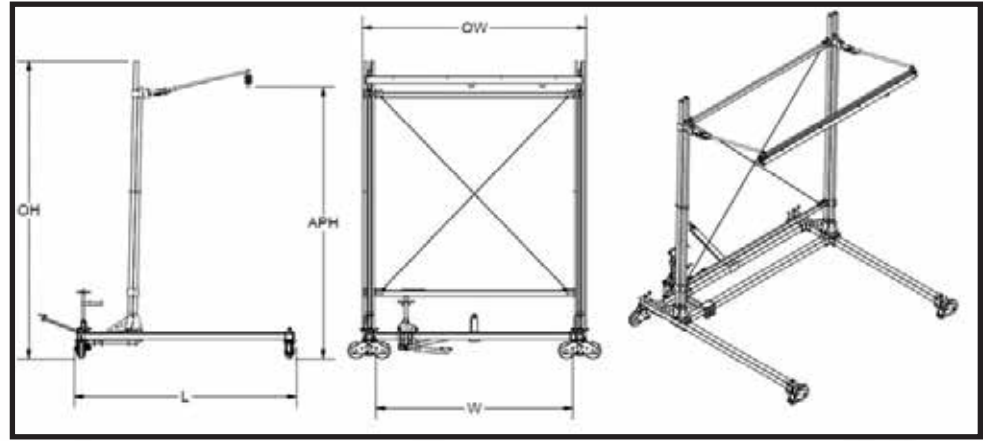
Hydraulic options:

- Manual
- Electric 110
- Electric 12 V
- Air/Hydraulic

Several type of wheel options are available, call for more information.

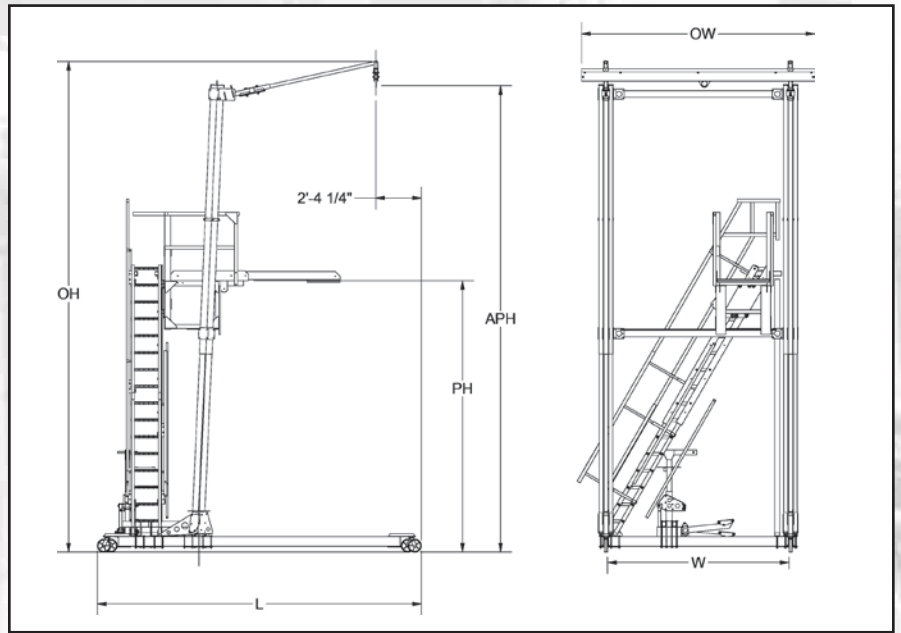
Part #	Model	W (width Inside)	APH (Anchor Point Height)	OH (Overall Height)	L (Length)	OW (Overall Width)	PH (Platform Height)	# of Rails	# of Anchors	Wheels	Weight	Price
70103	SXS Pro-4, 20W-25H-1R-1A-RM	19'-0"	25'-7"	26'-11"	16'-1/2"	20'-6"	9'-0" to 16'-8"	1	1	Rubber Molden	3050lbs/ 1387kgs	

Pro-5 Series Adjustable Mobile Horizontal Rail System



Part #	Model	W (width Inside)	APH (Anchor Point Height)	OH (Overall Height)	L (Length)	OW (Overall Width)	# of Rails	# of Anchors	Wheels	Weight	Hydraulic Controls	Price
50007	SXS Pro-5, 10W-12/18H-1R-1A-RM	9'-6"	12'-4" to 18'-6"	13'-8" to 19'-10"	14'-10"	12'-0"	1	1	Rubber Molden	2320lbs/ 1055kgs	Manual	
50040	SXS Pro-5, 15W-20/34H-2R-2A-RM	15'-0"	20'-0" to 33'-9"	21'-11" to 35'-9"	16'-5"	16'-6"	2	2	Rubber Molden	3525lbs/ 1602kgs	Manual	
70381	SXS Pro-5, 20W-19/33H-1R-2A-U	20'-0"	18'-9 1/2" to 32'-11"	20'-8" to 34'-9"	17'-10"	21'-3"	1	2	Urethane	3000lbs/ 1364kgs	Manual	

Pro-6 Series Adjustable Mobile Horizontal Rail With Access



Part #	Model	W (width Inside)	APH (Anchor Point Height)	OH (Overall Height)	L (Length)	OW (Overall Width)	PH (Platform Height)	# of Rails	# of Anchors	Wheels	Weight	Hydraulic Controls	Price
50025	SXS Pro-6, 10W-19/24H-1R-1A-U	9'-0"	18'-5" to 24'-0"	19'-9" to 25'-3"	16'-8"	12'-0"	8'-9" to 13'-10"	1	1	Urethane	2720lbs/ 1236kgs	Manual	

Several type of wheel options are available, call for more information.

Other Product Categories:

1. Winches & Accessories
2. Self Retracting Lifelines & Accessories
3. Tripods & Accessories
4. Hoists, Davits & Accessories
5. Portable Bases
6. Permanent Bases
7. Pole Hoists & Horizontal Entry Systems
8. Beam Clamps & Anchor Points
9. Mobile Stair Systems with Fall Protection
10. A-Frames & Quad-Frames
11. Mobile Horizontal Rail Systems
12. Portable Anchor Points & Restricted Space Davit Systems
13. Handrailing Systems & Accessories
14. Horizontal Rail & Trolley Systems
15. Rescue Systems & Accessories
16. Portable Fall Arrest Anchor Posts
17. Tuff-Step Access Systems & Accessories
18. Exosphere Customizable Portable Fall Protection Anchor Systems
19. Exosphere Highway Trailer Fall Protection Anchor System
20. Exosphere All Terrain 4x4 Fall Protection Anchor System
21. Custom Fabrication Engineering



Mailing Address:

122 Paquin Road
Winnipeg, Manitoba, Canada
R2J 3V4

TUFF BUILT
PRODUCTS INC.

Toll Free: 1-877-422-6053
Tel: 1-204-222-4025
Fax: 1-204-222-4080
www.tuffbuiltproducts.com