

Stay safe and be free

TUFF BUILT

PRODUCTS INC.

Mobile Access Stair System with Fall Protection



Features

- Lightweight
- Easy, fast setup time
- Energy absorbing design

Category 9



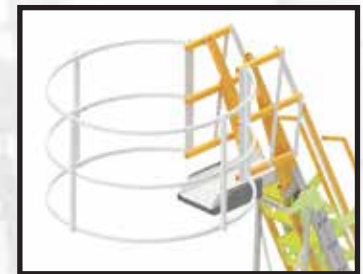
Tuff Built's Products Mobile Access Stair Systems (M.A.S.S.) provide a portable means of accessing elevated work areas with a fully functional stairway versus a conventional ladder. The Mobile Access Stair System (M.A.S.S.) offers a wide variety of optional railing, cages, and anchor structures to provide ground-up fall protection for your elevated work activities. With the Free Standing Access Stair Systems (F.S.A.S.S.) which are height adjustable from 141" to 216" (to the entrance platform), the stairway design creates safer access to elevated work areas while carrying tools, and the anchor points adjust with the entrance platform.



PT# 20009;
MASS, Tripod Pkg



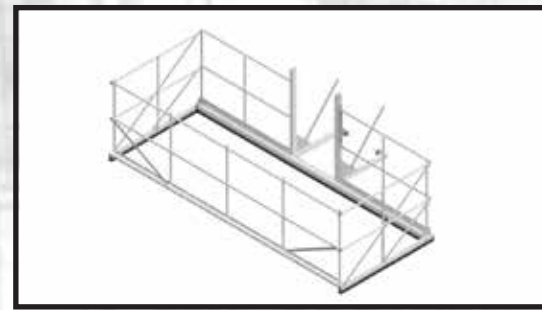
PT# 20014;
MASS, Davit Anchor
Points Pkg



PT# 20039;
MASS, Guardrail Cage



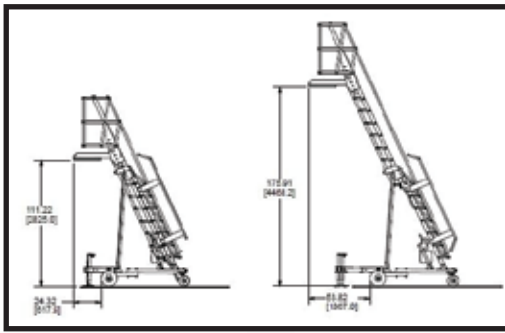
PT# 20015;
Traveling Rail



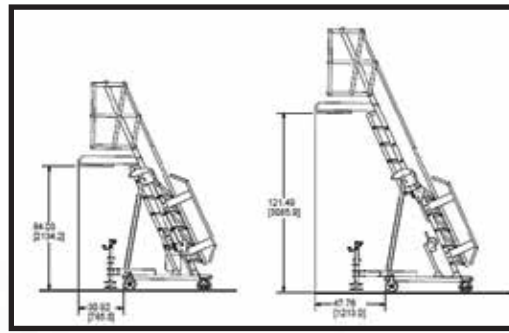
PT# 20134;
MASS, Rectangle Cage

Part #	Model	Weight	Price
20009	Pkg, Rescue TRIPOD w/ Winch (Cage not included)	148 lbs (67 kgs)	
20014	Pkg, Davits(2) w/ Anchor points(2)	136 lbs (62 kgs)	
20015	Pkg, Rail 10ft w/ Anchor Point(2x)	193lbs (88 kgs)	
20039	Pkg, Cage 72" dia (Round)	60 lbs (27kgs)	
20134	Pkg, Cage 60" x 156" (Rectangular)	415lbs (189 kgs)	

Mobile Access Stair Systems (M.A.S.S.)



PT# 70075



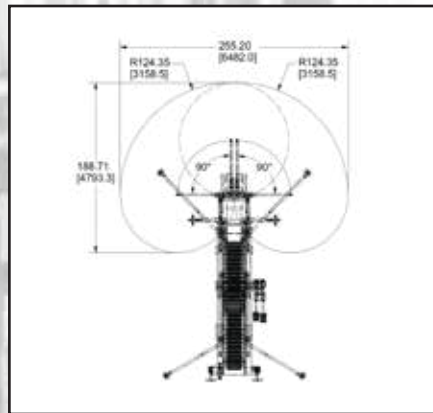
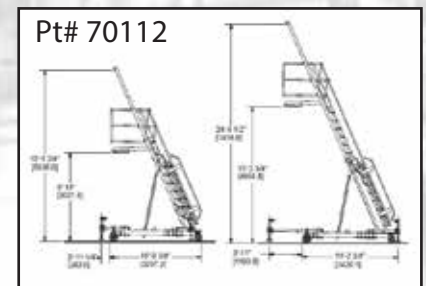
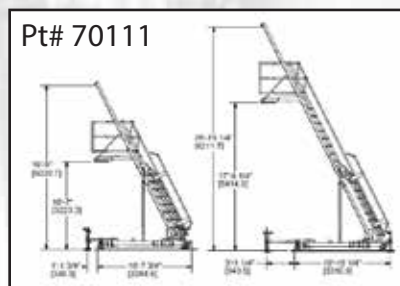
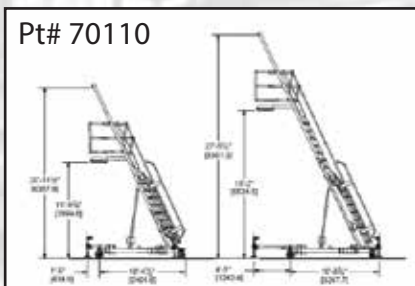
PT# 70076



Part #	Model	Height	Wheels	Weight	Price
70075	Mobile Access Stair System	114"(290cm)- 180" (457cm)	Rubber Molden	1225 lbs (557 kgs)	
70076	Mobile Access Stair System	86" (218cm)- 123" (312cm)	Urethane	1000 lbs (455 kgs)	

Freestanding Access Stair Systems (F.S.A.S.S.)

Part #	Model	Height	Wheels	Weight	Price
70110	F.S.A.S.S., 141/216H-2A-RM	114"(290cm)- 180" (457cm)	Rubber Molden	1920 lbs (873 kgs)	
70111	F.S.A.S.S., 129/215H-2A-U	86" (218cm)- 123" (312cm)	Urethane	1510 lbs (687 kgs)	
70112	F.S.A.S.S., 119/184H-2A-RM	114"(290cm)- 180" (457cm)	Rubber Molden	1850 lbs (841 kgs)	
70442	F.S.A.S.S., 171/293H-2A-MR-TH-HYD Manual Hydraulic Adjustment w/ umbrella	86" (218cm)- 123" (312cm)	Rubber Molden	3120 lbs (1418 kgs)	
70443	F.S.A.S.S., 141/218H-2A-MR-TH w/ umbrella	114"(290cm)- 180" (457cm)	Rubber Molden	2010 lbs (914 kgs)	



Umbrella with Fall Protection



Hydraulic options:

- Manual option
- Electric 110
- Electric 12 V
- Air/Hydraulic

Other Product Categories:

1. Winches & Accessories
2. Self Retracting Lifelines & Accessories
3. Tripods & Accessories
4. Hoists, Davits & Accessories
5. Portable Bases
6. Permanent Bases
7. Pole Hoists & Horizontal Entry Systems
8. Beam Clamps & Anchor Points
9. Mobile Stair Systems with Fall Protection
10. A-Frames & Quad-Frames
11. Mobile Horizontal Rail Systems
12. Portable Anchor Points & Restricted Space Davit Systems
13. Handrailing Systems & Accessories
14. Horizontal Rail & Trolley Systems
15. Rescue Systems & Accessories
16. Portable Fall Arrest Anchor Posts
17. Tuff-Step Access Systems & Accessories
18. Exosphere Customizable Portable Fall Protection Anchor Systems
19. Exosphere Highway Trailer Fall Protection Anchor System
20. Exosphere All Terrain 4x4 Fall Protection Anchor System
21. Custom Fabrication Engineering



Mailing Address:

122 Paquin Road
Winnipeg, Manitoba, Canada
R2J 3V4

Toll Free: 1-877-422-6053
Tel: 1-204-222-4025
Fax: 1-204-222-4080
www.tuffbuiltproducts.com