

Stay safe and be free

TUFF BUILT

PRODUCTS INC.

Beam Clamps and Anchor Points



Features

- Lightweight
- Easy, fast setup time
- Energy absorbing design

Category 8

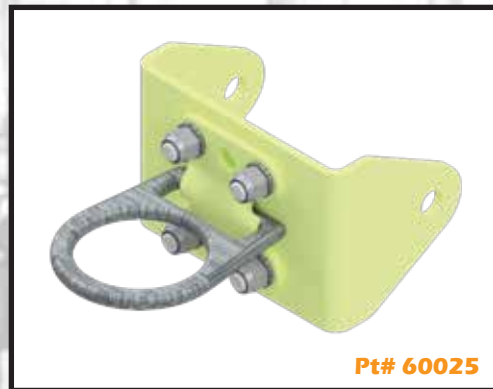
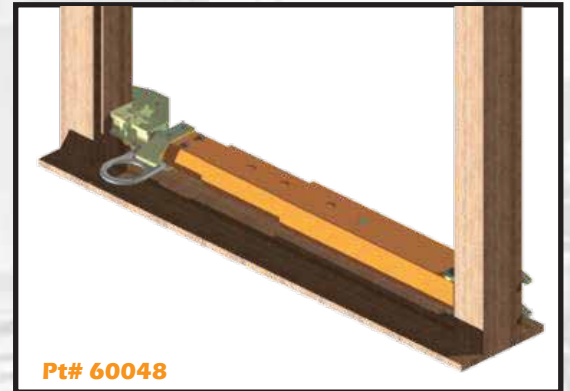


Anchor Points

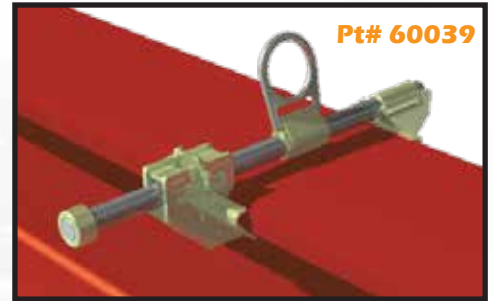
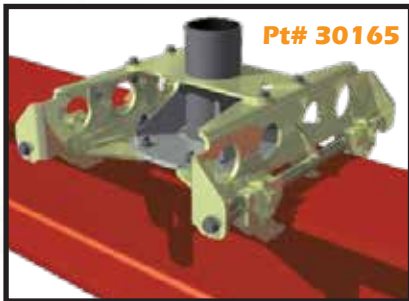
Tuff Built Products offers a variety of products designed to place anchor points where they are needed to support fall arrest, entry retrieval, rescue, and work positioning systems.

Part #	Description	Weight	Price
60243	Tie -Off Rings (Bolt On) 5/8 x 1.00 (Mild Steel CS-500)	0.30 lbs (0.14 kgs)	
60244	Tie -Off Rings (Bolt On) 1/2 x 1.00 (Mild Steel CS-500)	0.30 lbs (0.14 kgs)	
60245	Tie -Off Rings (Bolt On) 3/8 x 1.00 (Mild Steel CS-500)	0.30 lbs (0.14 kgs)	
60048	Brace, Pro-1 Door/Window 22" to 43" (56cm to 110cm)	13.0 lbs (5.9 kgs)	
60049	Anchor Point, Bolt on D-Ring (Mild Steel CS-500)	0.88 lbs (0.40 kgs)	
60161	Anchor Point, Bolt on D-Ring (Mild Steel CS-500)	3.5 lbs (1.6 kgs)	
60025	Anchor Point, Bolt on D-Ring (Mild Steel CS-500)	2.3 lbs (1.0 kgs)	
60292	Anchor Point, Bolt on D-Ring (304 SS)	0.7 lbs (0.31 kgs)	

Custom designs are available. Call for more information.



Part #	Description	Weight	Price
30165	Sleeve, CS-500 ("I" Beam Clamp on Sleeve) 7" to 14"	65 lbs (29.5 kgs)	
60037	Anchor, Pro-1 - "I" Beam Clamp 5" to 14" (127mm to 356mm)	6 lbs (2.7 kgs)	
60038	Anchor, Pro-2 - "I" Beam Clamp 5" to 30" (127mm to 762mm)	8 lbs (3.6 kgs)	
60039	Anchor, Pro-1 - "I" Beam Slider 5" to 14" (127mm to 356mm)	6 lbs (2.7 kgs)	



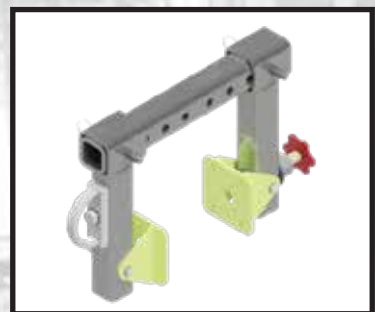
Chair, Work Positioning

Part #	Weight	Price
40004	7.1lbs (3.2 kgs)	



Custom Designs

Custom designs to fit your requirements are available. Please call for more information.



Other Product Categories:

1. Winches & Accessories
2. Self Retracting Lifelines & Accessories
3. Tripods & Accessories
4. Hoists, Davits & Accessories
5. Portable Bases
6. Permanent Bases
7. Pole Hoists & Horizontal Entry Systems
8. Beam Clamps & Anchor Points
9. Mobile Stair Systems with Fall Protection
10. A-Frames & Quad-Frames
11. Mobile Horizontal Rail Systems
12. Portable Anchor Points & Restricted Space Davit Systems
13. Handrailing Systems & Accessories
14. Horizontal Rail & Trolley Systems
15. Rescue Systems & Accessories
16. Portable Fall Arrest Anchor Posts
17. Tuff-Step Access Systems & Accessories
18. Exosphere Customizable Portable Fall Protection Anchor Systems
19. Exosphere Highway Trailer Fall Protection Anchor System
20. Exosphere All Terrain 4x4 Fall Protection Anchor System
21. Custom Fabrication Engineering



Mailing Address:

122 Paquin Road
Winnipeg, Manitoba, Canada
R2J 3V4

TUFF BUILT
PRODUCTS INC.

Toll Free: 1-877-422-6053
Tel: 1-204-222-4025
Fax: 1-204-222-4080
www.tuffbuiltproducts.com