

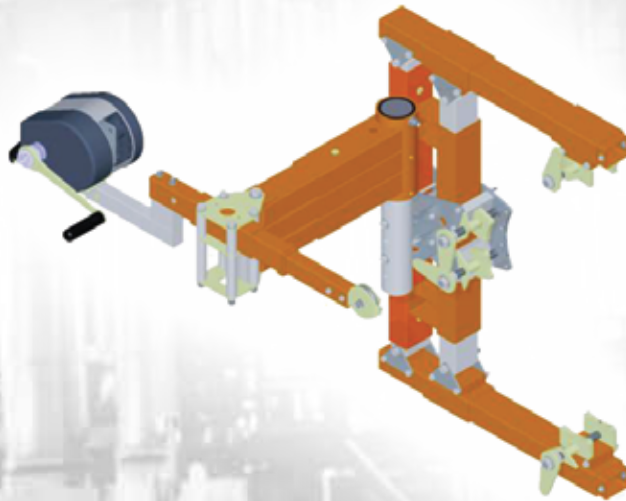
*Stay safe and be free*

**TUFF BUILT**  
PRODUCTS INC.

## **Pole Hoist**



## **Horizontal Entry Systems**



### **Features**

- Lightweight
- Easy, fast setup time
- Energy absorbing design

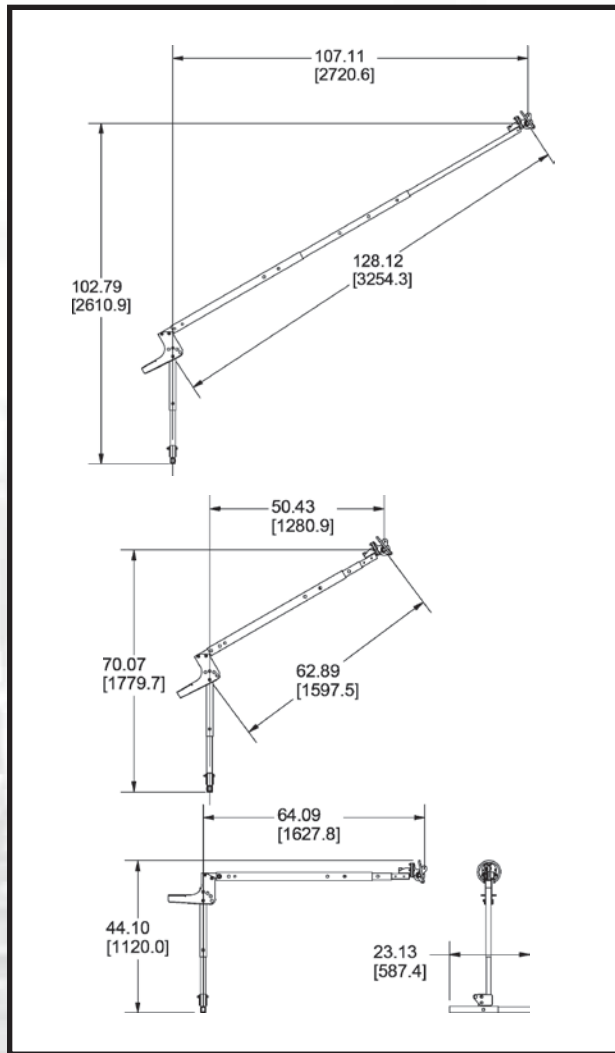
### **Category 7**



Tuff Built "Pole Hoists" allow for vertical or horizontal confined space entry-retrieval, rescue, as well as fall protection and work positioning. The Pole Hoist uses a single anchor point near the work area while the attendant remains safely back from any hazard. "Pro-Series Pole Hoists" feature "Tuff-Klik" pin-less adjustment, which eliminates lost or damaged locking pins.

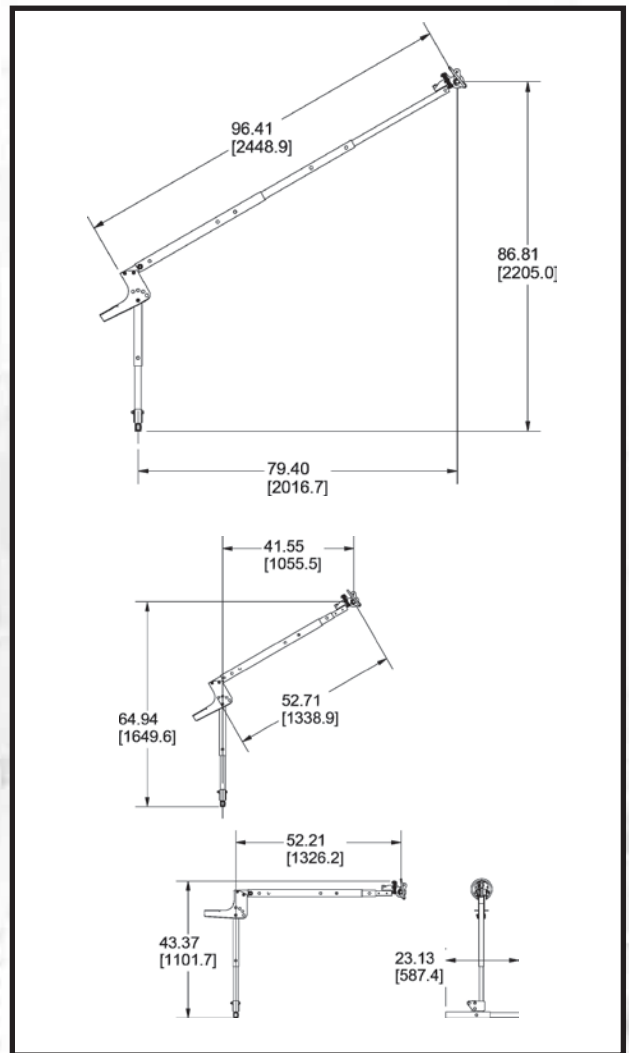
**Pro-1 Pole Hoist**

**Pt#: 30040**



**Pro-2 Pole Hoist**

**Pt#: 30041**



Part #	Package Contains	Pole Hoist	Winch PT #	Bracket PT #	Price
20041	Pkg Pro-1 Pole Hoist w/Winch & Winch Bracket	30041	60217	60162	
20042	Pkg Pro-2 Pole Hoist w/Winch & Winch Bracket	30040	60217	60162	

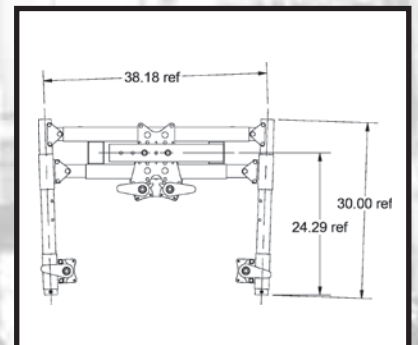
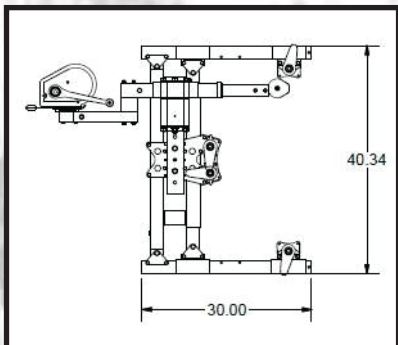
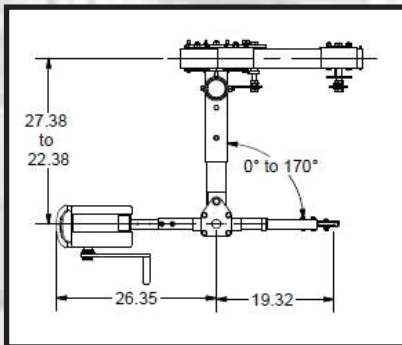
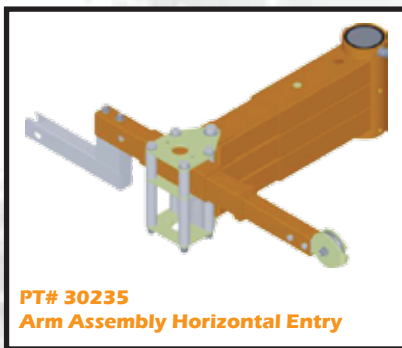
**Other manufacturer brackets available. Please call us for more information.**

Tuff Built's Horizontal Entry System is designed for confined space entry/retrieval and rescue operations involving horizontal entries with vertical positioning or retrieval required inside the space.

The Horizontal Entry System may be used with a Clamp-On or Bolt-On Tank Collar Base for adaptation to different man holes. The External Clamp-On Base with Mast (30321) can be assembled for left and right entry requirements.

<b>Part #</b>	<b>Description</b>	<b>Weight</b>	<b>Price</b>
20073	Package, Horizontal Entry System (30235, 30321, 60217)	151.0Lbs(68.6kgs)	
20074	Package, Horizontal Entry System (30235, 30080, 30234)	87.0Lbs(39.5kgs)	
30234	Support Mast, 72" (1829mm)	27.5Lbs(12.5kgs)	
30235	Horizontal Entry Arm	37.0Lbs(16.8kgs)	
30276	Base, Bolt-On Horizontal Entry w/Mast (30303)	71.0Lbs(32.3kgs)	
30303	Support Mast, 19.50" (495.3mm)	7.4Lbs(3.4kgs)	
30321	Base, Clamp-On Horizontal Entry w/Mast (30303)	80.0Lbs(36.4kgs)	
60211	Bracket, SRL w/RetrievalCapability Mount	4.0Lbs(1.8kgs)	
60212	Bracket, Pro-2/Pro-3 Winch Mount for Horizontal Entry	5.4Lbs(2.5kgs)	

**Other manufacturer brackets available. Please call us for more information.**



## Other Product Categories:

1. Winches & Accessories
2. Self Retracting Lifelines & Accessories
3. Tripods & Accessories
4. Hoists, Davits & Accessories
5. Portable Bases
6. Permanent Bases
7. Pole Hoists & Horizontal Entry Systems
8. Beam Clamps & Anchor Points
9. Mobile Stair Systems with Fall Protection
10. A-Frames & Quad-Frames
11. Mobile Horizontal Rail Systems
12. Portable Anchor Points & Restricted Space Davit Systems
13. Handrailing Systems & Accessories
14. Horizontal Rail & Trolley Systems
15. Rescue Systems & Accessories
16. Portable Fall Arrest Anchor Posts
17. Tuff-Step Access Systems & Accessories
18. Exosphere Customizable Portable Fall Protection Anchor Systems
19. Exosphere Highway Trailer Fall Protection Anchor System
20. Exosphere All Terrain 4x4 Fall Protection Anchor System
21. Custom Fabrication Engineering



## Mailing Address:

122 Paquin Road  
Winnipeg, Manitoba, Canada  
R2J 3V4

**TUFF BUILT**  
PRODUCTS INC.

Toll Free: 1-877-422-6053  
Tel: 1-204-222-4025  
Fax: 1-204-222-4080  
[www.tuffbuiltproducts.com](http://www.tuffbuiltproducts.com)