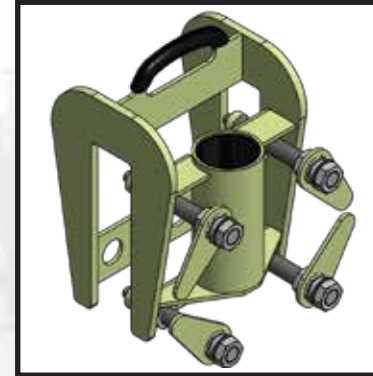
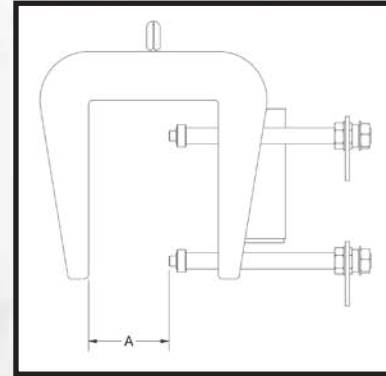


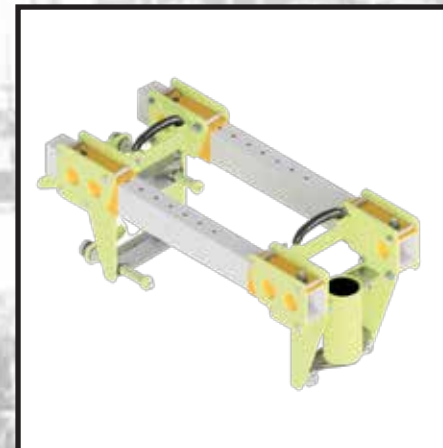
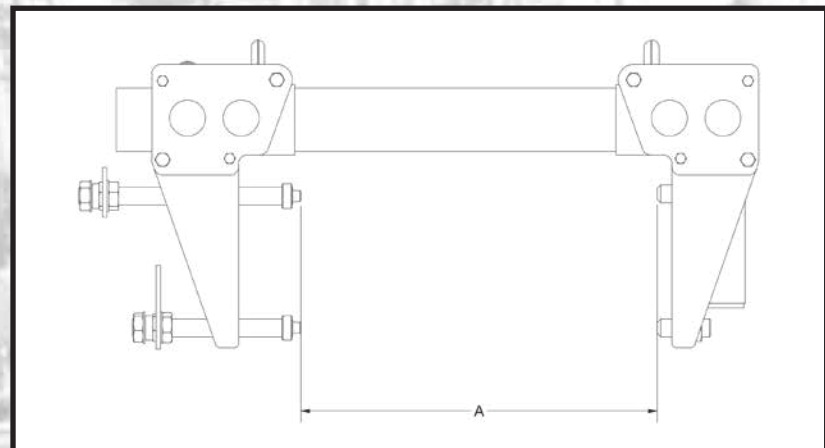
**Fixed Barrell Mounts**

Part #	Model	Finish	Weight	Price
30036	Barrel Mount Base Fixed (2.00" Throat) A= 0.19" to 2.00" (0.00mm to 50.8mm)	CS-500	43.0 lbs (19.4kgs)	
30045		304 SS	45.0 lbs (20.3kgs)	
30044		316 SS	45.0 lbs (20.3kgs)	
30161	Barrel Mount Base Fixed (5.00" Throat) A= 0.19" to 5.00" (0.00mm to 127.0mm)	CS-500	45.7 lbs (20.6kgs)	
30192		304 SS	47.7 lbs (21.5kgs)	
30193		316 SS	47.7 lbs (21.5kgs)	
30166	Barrel Mount Base Fixed (7.00" Throat) A= 0.19" to 7.13" (4.8mm to 181.0mm)	CS-500	47.5 lbs (21.4kgs)	
30195		304 SS	49.5 lbs (22.3kgs)	
30196		316 SS	49.5 lbs (22.3kgs)	



**Adjustable Barrel Mount**

Part #	Model	Finish	Weight	Price
30029	Barrel Mount Base, Adjustable A= 1.00" to 25.00" (0.00mm to 635.0mm)	CS-500	96.00 lbs(43.2kgs)	



**Other Product Categories:**

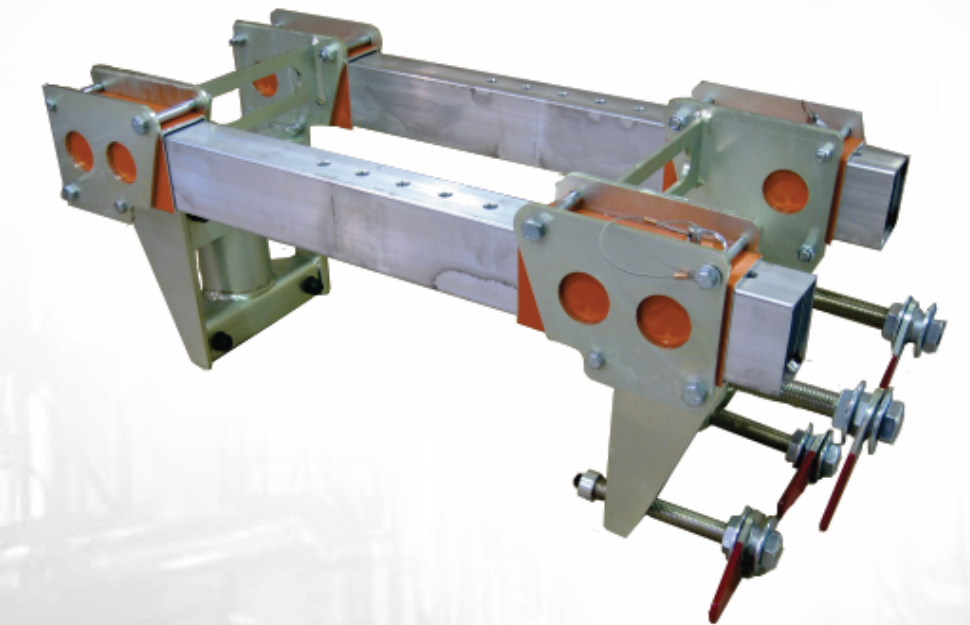
- Winches & Accessories
- Self Retracting Lifelines & Accessories
- Tripods & Accessories
- Hoists, Davits & Accessories
- Portable Bases
- Permanent Bases
- Pole Hoists & Horizontal Entry Systems
- Beam Clamps & Anchor Points
- Mobile Stair Systems with Fall Protection
- A-Frames & Quad-Frames
- Mobile Horizontal Rail Systems
- Portable Anchor Points & Restricted Space Davit Systems
- Handrailing Systems & Accessories
- Horizontal Rail & Trolley Systems
- Rescue Systems & Accessories
- Portable Fall Arrest Anchor Posts
- Tuff-Step Access Systems & Accessories
- Exosphere Customizable Portable Fall Protection Anchor Systems
- Exosphere Highway Trailer Fall Protection Anchor System
- Exosphere All Terrain 4x4 Fall Protection Anchor System
- Custom Fabrication Engineering



*Stay safe and be free*



**Portable Bases**



**Features**

- Lightweight
- Easy, fast setup time
- Energy absorbing design

**Category 5**



**Mailing Address:**

122 Paquin Road  
Winnipeg, Manitoba, Canada  
R2J 3V4



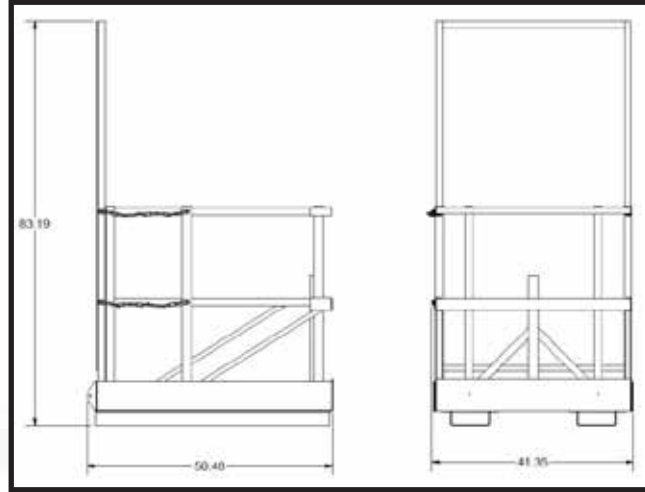
Toll Free: 1-877-422-6053  
Tel: 1-204-222-4025  
Fax: 1-204-222-4080  
www.tuffbuiltproducts.com



Tuff Built Products Pro-Series portable davit bases allow for set up and use at multiple locations with no need for permanent installations. Various designs are available, including free standing, counter weighted, clamp-on, or vehicle mounted systems.

### Pro-1 Forklift Basket

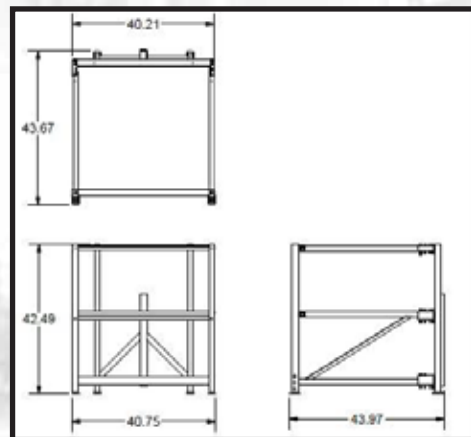
Pro-1 Forklift Basket is designed for working at height when secured to a forklift.



Part #	Model	Weight	Price
30164	Pro-1 Forklift Basket	29.5 lbs (13.4kgs)	

### Pro-1 Guardrail Bases

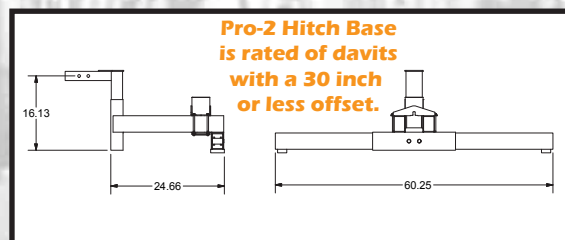
Pro-1 Guardrail Bases have the option of a bar or chain entry gate, for use with any Pro-1 Davit.



Part #	Model	Weight	Price
30017	Pro-1 Guardrail w/Bar Gate	55 lbs (24.9kgs)	
30098	Pro-1 Guardrail w/Chain Gate	55 lbs (24.9kgs)	

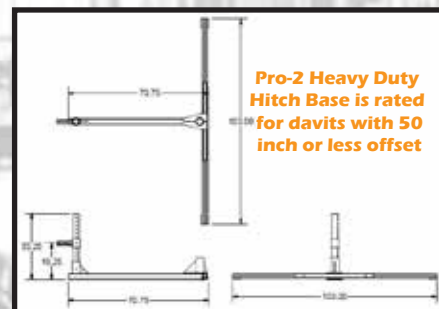
### Pro-2 Hitch Bases

Pro-2 Series Portable Bases are versatile and designed for rugged and demanding applications. This system MUST be attached to a vehicle when the system is in use. For use with any Pro-2, Pro-2, Pro-3 Davits.



Part #	Model	Weight	Price
30093	Pro-2 Base, Hitch Mount	34 lbs (15.5kgs)	

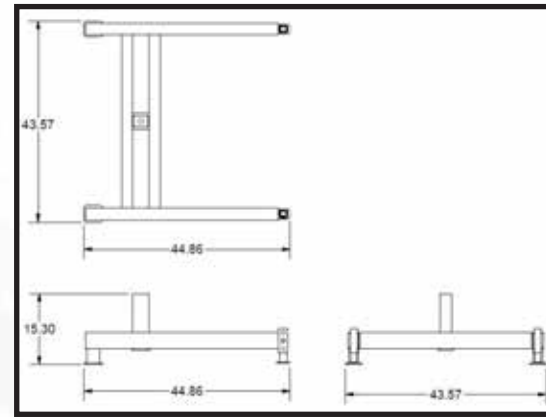
### Pro-2 Heavy Duty Hitch Bases



Part #	Model	Weight	Price
30336	Pro-2 Base, Heavy Duty Hitch Mount	155 lbs (70.5kgs)	

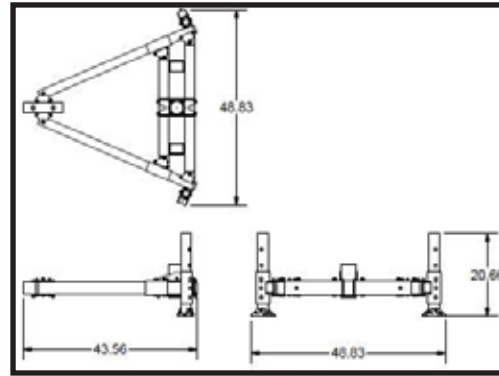
### Pro-1 Series Bases

Pro-1 Series Portable Bases are designed to be compact and lightweight. For use with Pro-1 Davits only.



Part #	Model	Weight	Price
30067	Pro-1 Base, Portable	24 lbs (10.9kgs)	

The Pro-3 Counterweight Base has a common main center with a variety of anchoring and/or positioning options.

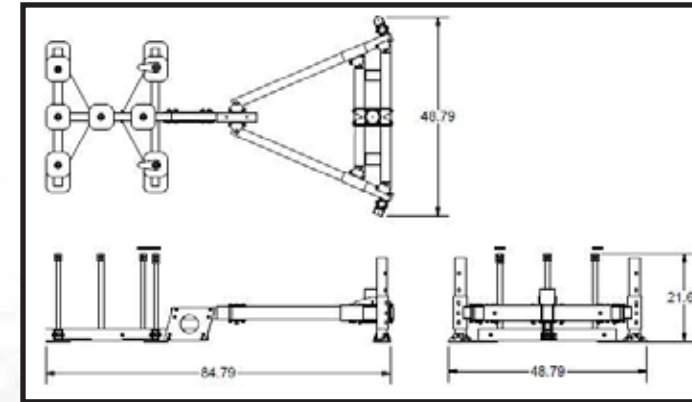


Part #	Model	Weight	Price
30071	Pro-3 Base	65 lbs (29.5kgs)	

Options include: Rail Clamp for anchoring to railway track rails, a wheeled weight cart and/or weight rack for counterbalanced applications, a hitch mount adapter that plugs into a vehicle tow receiver.

### Pro-3 Counterweight Base System

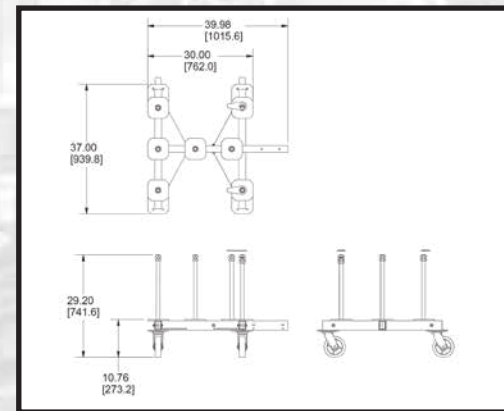
Extensions to make the system longer are available to position system as needed. Weights are NOT included. (25 lbs weights are recommended).



Part #	Model	Weight	Price
30073	Pro-3 Base, Counterweight	120 lbs (54.5kgs)	

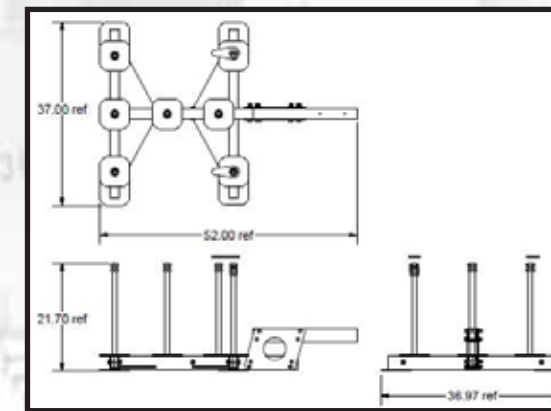
### Pro-3 Counterweight Base Attachments

#### PT# 30218 Counterweight Cart



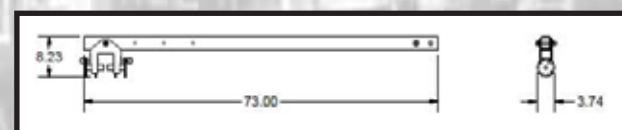
Part #	Model	Weight	Price
30218	Counterweight Cart	120 lbs (54.5kgs)	

#### PT# 30180 Counterweight Rack



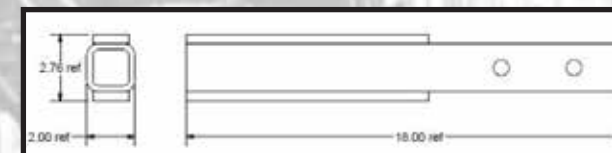
Part #	Model	Weight	Price
30180	Counterweight Rack	80lbs (36.3kgs)	

#### PT# 30328 Rail Clamp Adapter



Part #	Model	Weight	Price
30328	Rail Clamp	12 lbs (5.5kgs)	

#### PT# 30354 Hitch Adapter



Part #	Model	Weight	Price
30354	Hitch Adapter	4 lbs (1.8kgs)	

### Pro-3 Bridge Barrier Accessories

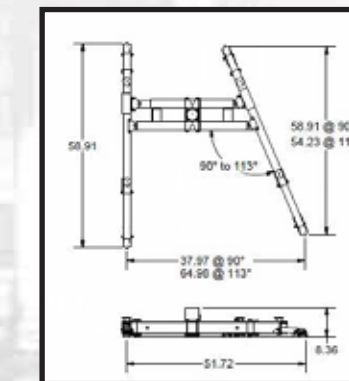
The Bridge Barrier system is designed to provide fall protection for workers while on the side of a bridge. Bridge Barrier accessories allow for a secure counterweight system while going over barriers, handrails, dividers and other partitions.



Part #	Model	Weight	Price
30420	Bridge Barrier Hitch Attachment	27.0 lbs (12.3kgs)	
30421	Bridge Barrier Vehicle Wheel Rack	63.0 lbs (28.6kgs)	

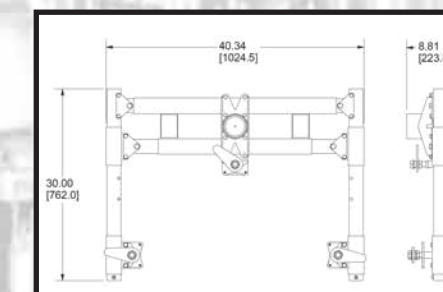
### Pro-3 Portable Base

The Pro-Portable Base has four (4) independent leveling legs and fits around hole sizes of 54" to 75" (Diameter).



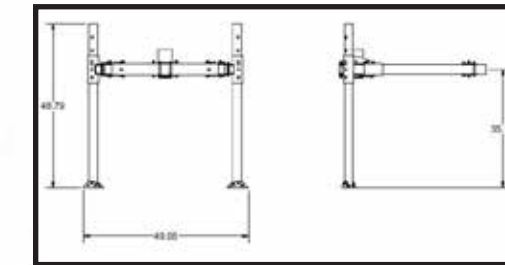
Part #	Model	Weight	Price
30070	Pro-3 Base, Portable	61 lbs (27.7kgs)	

### Pro-3 External Clamp-On Base



Part #	Model	Weight	Price
30189	Pro-3 Base, External Tank Collar	67 lbs (30.0kgs)	

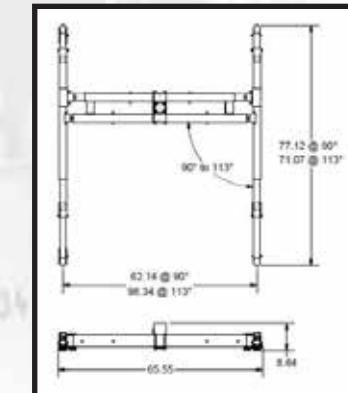
### Pro-3 Bridge Barrier



Part #	Model	Weight	Price
30072	Pro-3 Base, Bridge Barrier	72 lbs (32.7kgs)	

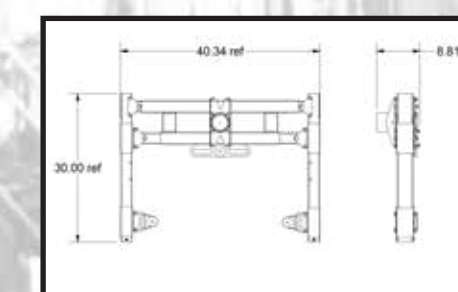
### Pro-3 Portable Heavy Duty Base

The Pro-3 Portable Heavy Duty Base fits around hole sizes of 58" to 136" (Diameter).



Part #	Model	Weight	Price
30115	Pro-3 Base, Portable Heavy Duty	86 lbs (39.1kgs)	

### Pro-3 Bolt-On Flange Base



Part #	Model	Weight	Price
30181	Pro-3 Base, Bolt-On Flange	63 lbs (28.6kgs)	