

Stay safe and be free



Portable Anchor Points and Restricted Space Davit Systems

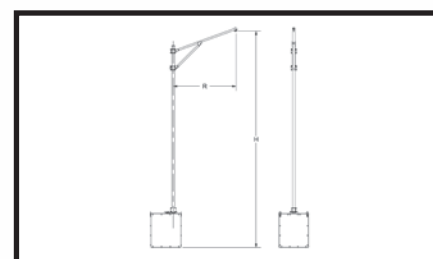


Other Product Categories:

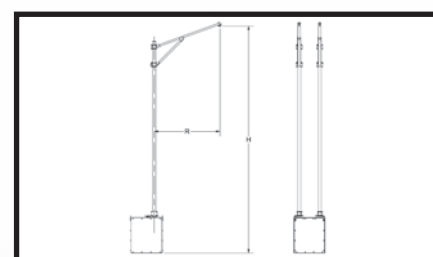
- Winches & Accessories
- Self Retracting Lifelines & Accessories
- Tripods & Accessories
- Hoists, Davits & Accessories
- Portable Bases
- Permanent Bases
- Pole Hoists & Horizontal Entry Systems
- Beam Clamps & Anchor Points
- Mobile Stair Systems with Fall Protection
- A-Frames & Quad-Frames
- Mobile Horizontal Rail Systems
- Portable Anchor Points & Restricted Space Davit Systems
- Handrailing Systems & Accessories
- Horizontal Rail & Trolley Systems
- Rescue Systems & Accessories
- Portable Fall Arrest Anchor Posts
- Tuff-Step Access Systems & Accessories
- Exosphere Customizable Portable Fall Protection Anchor Systems
- Exosphere Highway Trailer Fall Protection Anchor System
- Exosphere All Terrain 4x4 Fall Protection Anchor System
- Custom Fabrication Engineering



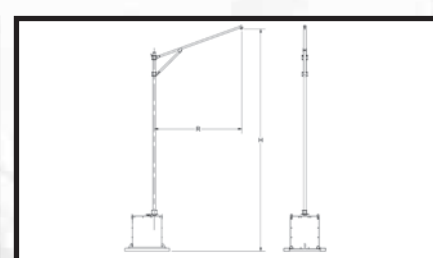
Pro-9 Cube Package # 70239 includes;				Price
	Part#	Qty	Description	
Davit	70238	1	Single Anchor Point Fixed Height (Alumunum)	
Base	70185	1	Single Sleeve 8pc Cube	
Davit Reach	7'-0" (2.13m)			
Davit Height	13'-6" (4.06m) min. to 24'-4" (7.41m) max.			



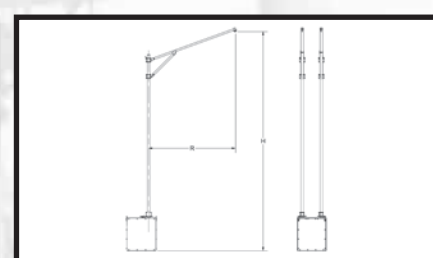
Pro-9 Cube Package # 70271 includes;				Price
	Part#	Qty	Description	
Davit	70238	2	Single Anchor Point Fixed Height (Alumunum)	
Base	70186	1	Double Sleeve 8pc Cube	
Davit Reach	7'-0" (2.13m)			
Davit Height	13'-6" (4.06m) min. to 24'-4" (7.41m) max.			



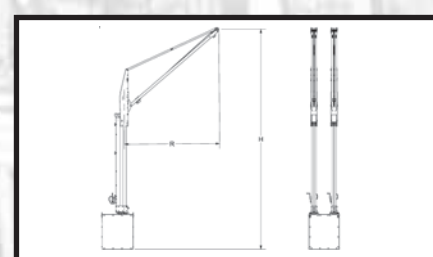
Pro-9 Cube Package # 70375 includes;				Price
	Part#	Qty	Description	
Davit	70374	1	Single Anchor Point Fixed Height (Steel)	
Base	70185	1	Single Sleeve 8pc Cube	
Davit Reach	10'-0" (3.04m)			
Davit Height	13'-6" (4.06m) min. to 24'-4" (7.41m) max.			



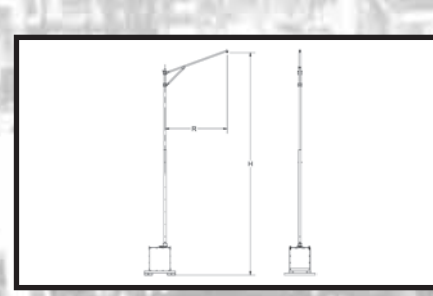
Pro-9 Cube Package # 70376 includes;				Price
	Part#	Qty	Description	
Davit	70374	2	Single Anchor Point Fixed Height (Steel)	
Base	70186	1	Double Sleeve 8pc Cube	
Davit Reach	10'-0" (3.04m)			
Davit Height	13'-6" (4.06m) min. to 24'-4" (7.41m) max.			



Pro-9 Cube Package # 70378 includes;				Price
	Part#	Qty	Description	
Davit	70120	2	Single Anchor Point Adjustable Height	
Base	70186	1	Double Sleeve 8pc Cube	
Davit Reach	10'-0" (3.04m)			
Davit Height	14'-2 1/2" (4.33m) min. to 23'-6 1/4" (7.41m) max.			



Pro-9 Cube Package # 70542 includes;				Price
	Part#	Qty	Description	
Davit	70541	1	Pro-3 Single Anchor Point 120R-391H (Steel)	
Base	70185	1	Single Sleeve 8pc Cube	
Transport	70532	1	Large Stabilizer EU Base	
Davit Reach	3'-0" (1.2m)			
Davit Height	12'-10" (3.91m)			



Mailing Address:

122 Paquin Road
Winnipeg, Manitoba, Canada
R2J 3V4

Printed in Canada

July 2017

All Rights Reserved

Copyright © 2017

Patent Pending

Pt# 117586 Rev03



Toll Free: 1-877-422-6053
Tel: 1-204-222-4025
Fax: 1-204-222-4080
www.tuffbuiltproducts.com

Features

- Lightweight
- Easy, fast setup time
- Energy absorbing design

Category 12



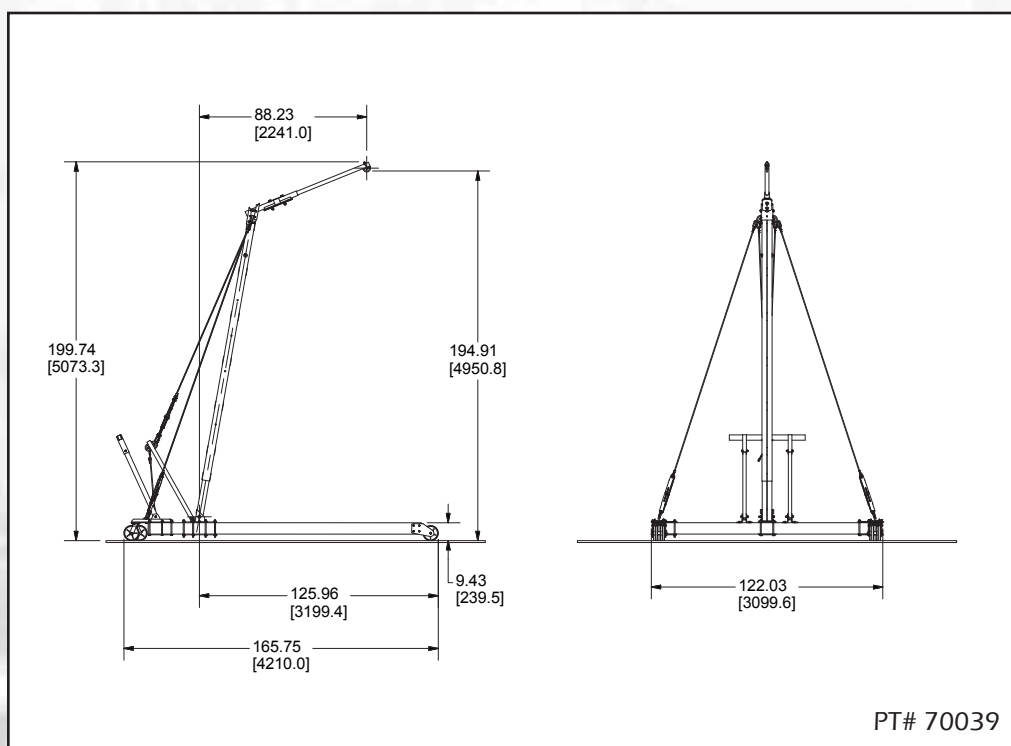
Sky-X-Stand Mobile Anchor Points

Sky-X-Stand systems provide Mobile overhead fall protection anchor points in a lightweight and easy to set up package.

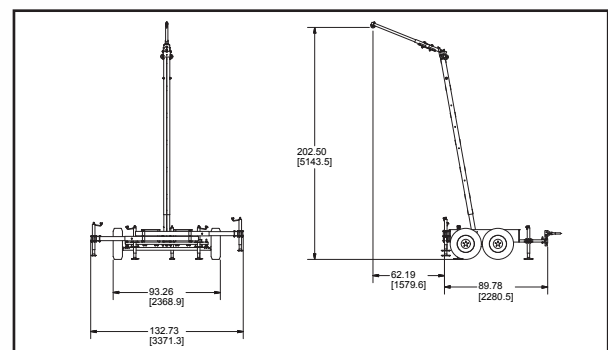


The Sky-X-Stand series consist of:

- Pro-1 Single Anchor Points (fixed height)
- Pro-2 Double Anchor Point Truck Mount (fixed height)
- Pro-3 Mobile Anchor Point or Horizontal Rail (Single or Double Anchor Points, fixed height)
- Pro-4 Mobile Horizontal Rail (fixed height) with Access Platform (adjustable)
- Pro-5 Mobile Horizontal Rail (hydraulically adjustable height)
- Pro-6 Mobile Horizontal Rail (hydraulically adjustable height) with Access Platform (adjustable)
- Pro-7 Anchor Point Hitch Mount (Single or Double Anchor Points, fixed height)
- Pro-8 Restricted Space Anchor Point or Horizontal Rail (fixed height)
- Pro-9 Cube Systems and accessories



Part #	Model	W (width Inside)	APH (Anchor Point Height)	OH (Overall Height)	L (Length)	OW (Overall Width)	# of Anchors	Wheels	Weight	Price
70039	SXS Pro-3, 9W-16H-1A-U	9'-0"	16'-3"	16'-7 1/2"	13'-9 3/4"	10'-2"	1	Urethane	1000bs/500kgs	
70035	SXS Pro-3, 9W-18H-1A-U	9'-0"	18'-2"	18'-7"	13'-9 3/4"	10'-2"	1	Urethane	1000bs/500kgs	
70040	SXS Pro-3, 9W-20H-1A-U	9'-0"	19'-9"	20'-1"	13'-9 3/4"	10'-2"	1	Urethane	1000bs/500kgs	
70041	SXS Pro-3, 9W-22H-1A-U	9'-0"	21'-11 3/4"	22'-4 1/2"	13'-9 3/4"	10'-2"	1	Urethane	1000bs/500kgs	
70031	SXS Pro-3, 9W-24H-1A-U	9'-0"	23'-8 1/4"	24'-1"	13'-9 3/4"	10'-2"	1	Urethane	1000bs/500kgs	



PRO-7 Sky-X-Stand systems are a counter weighted (still bins must be filled with concrete) hitch mounted (units must be attached to vehicles during use) anchor point.

Single Anchor Point Fixed Height							
Part #	Nominal System Anchor Height	Nominal System Offset	Min. Height of Anchor above work surface	Diameter of working zone without outrigger kit (WA1)	Diameter of working zone with outrigger kit (WA2)	Weight (lbs/kgs)	Price
70179	16'-0" (4.06m)	62.00" (1.57m)	7'-0" (2.13m)	5'-0" (1.5m)	10'-0" (3.0m)	1600 / 728	
70027	18'-0" (4.57m)	66.18" (1.68m)				1600 / 739	
70026*	20'-0" (5.08m)	70.38" (1.78m)		N/A		1600 / 750	
70025*	22'-0" (5.59m)	74.62" (1.89m)		1600 / 762			
70021*	24'-0" (6.09m)	78.88" (2.00m)		1600 / 773			
Double Anchor Point Fixed Height							
Part #	Nominal System Anchor Height	Nominal System Offset	Min. Height of Anchor above work surface	Diameter of working zone without outrigger kit (WA1)	Diameter of working zone with outrigger kit (WA2)	Weight (lbs/kgs)	Price
70340	16'-0" (4.06m)	62.00" (1.57m)	7'-0" (2.13m)	5'-0" (1.5m)	10'-0" (3.0m)	1775 / 807	
70339	18'-0" (4.57m)	66.18" (1.68m)				1800 / 818	
70338*	20'-0" (5.08m)	70.38" (1.78m)		N/A		1825 / 830	
70337*	22'-0" (5.59m)	74.62" (1.89m)		1850 / 841			
70095*	24'-0" (6.09m)	78.88" (2.00m)		1875 / 852			

Restricted Space Davit Systems

The PRO-8 Restricted Space Series allows you to place fall protection anchors where you need them with minimal disruption to work place layouts and operations. Free standing portable and permanently installed options let you pick the solution that is best suited to your facility's individual needs. PRO-8 Series Rail Restricted Space Rail Systems can be customized in a variety of ways, such as height, length, position and number of users. The modular and lightweight design of components for the PRO-8 Series allows for fast and easy installations.

Part #	Description	Price
50038	Restricted Space Anchor Point Davit, 84x-168/192/240H (w/base)	
50041	Add on: Forklift Pockets	
50058	Add on: Turning Handle (only used with davits installed in 360 swivel bases)	
50060	Base, Restricted Space Davit Core Style (360 Swivel)	
50042	Sleeve, Flush Floor Mount (360 swivel, existing concrete)	
50054	Sleeve, Mount (360 swivel)	
50062	Sleeve, Mount (Fixed Position)	
50061	Restricted Space Mast, 8X-168/192/240H (NO insert Base)	
50046	Cap, Sleeve (CS-500)	



Cube Systems and Accessories

Cube Systems utilize a concrete fill steel box as ballast to support a Davit 32ft (9.75m) tall, and smaller. A rail can be attached to multiple davits on one cube base or spanned over multiple cube bases to provide overhead anchor points.

With a variety of base options available, cube systems can be moved around easily at a worksite / facility. The base options can accommodate for a variety of worksite conditions.



PRO-7 Cube System Accessories		
Part #	Description	Price
70187	Forklift Pockets	
70543	Stabilizer Base(adds 8.00" to height) for Hard Terrain	
70497	Trailer/Dolly Heavy Duty (adds 6.00" to height)	
70516	Kit, Leveling for Large EU Stabilizer (Pt# 70532)	
70692	Large Stabilizer Base (adds 8.00" to height) for Soft Terrain	
70528	Kit, Bolt-on Leveling (to be used ONLY with 70225 with 70516, not shown)	

